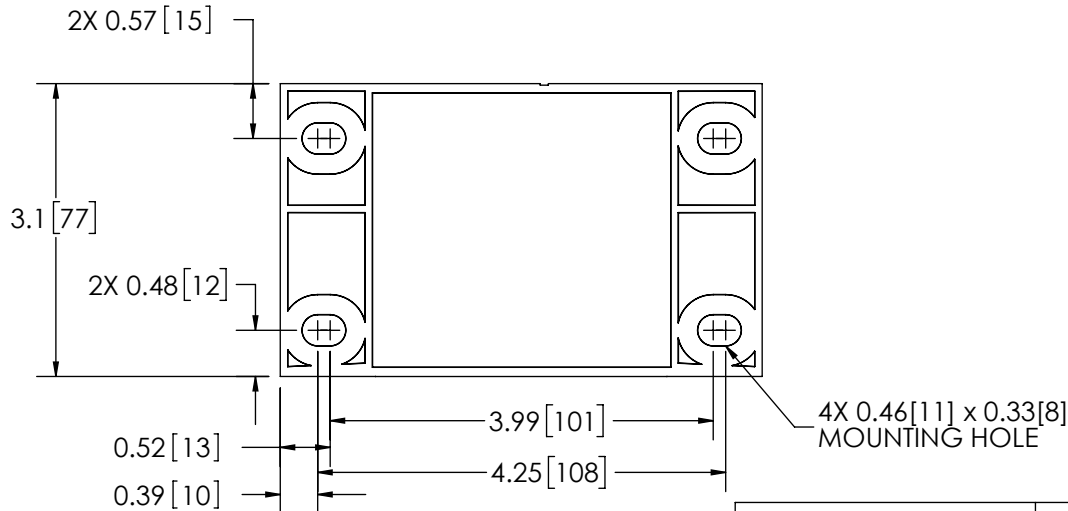


TOP VIEW



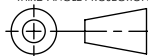
BACK VIEW

- NOTES:
 1. ROHS COMPLIANT
 2. DIMENSIONS IN INCHES[MILLIMETERS (FOR REFERENCE)]

PROPRIETARY AND CONFIDENTIAL INFORMATION

THIS DRAWING AND THE DESIGN AND OTHER INFORMATION DISCLOSED HEREIN ARE THE PROPERTY OF ELECTRONIC CONTROLS COMPANY AND/OR ITS ECCO SAFETY GROUP AFFILIATES ("ECCO") AND IS ISSUED IN CONFIDENCE TO RECIPIENT FOR ENGINEERING INFORMATION PURPOSES ONLY. THIS DRAWING AND THE DESIGN AND OTHER INFORMATION DISCLOSED HEREIN MAY NOT BE USED, COPIED, REPRODUCED OR OTHERWISE DISCLOSED IN PART OR IN WHOLE TO THIRD PARTIES OR USED FOR ANY OTHER PURPOSE WITHOUT PRIOR ECCO WRITTEN CONSENT. ECCO RESERVES ALL PATENT, COPYRIGHT, TRADEMARK AND OTHER PROPRIETARY RIGHTS TO THIS DOCUMENT, INCLUDING ALL DESIGN, MANUFACTURING, REPRODUCTION, USE AND SALES RIGHTS THERETO. THIS DRAWING IS SUBJECT TO RECALL BY ECCO AT ANY TIME, AND YOUR POSSESSION AND/OR USE CONSTITUTES ACCEPTANCE OF THESE TERMS. ©2010 ELECTRONIC CONTROLS COMPANY

SCALE 1:2		APPROVALS	DATE
CAD GENERATED DRAWING DO NOT MANUALLY UPDATE. MODEL REFERENCED: A		DRAWN BY ABB	2020-12-23
TOLERANCES ARE IN INCHES, AND MILLIMETERS TOLERANCES UNLESS OTHERWISE STATED ARE:		CHECKED MDH	2020-12-28
MILLIMETERS DECIMALS XX. ± 1.0mm XX.X ± 0.5mm	INCHES DECIMALS X.X ± 0.1 X.XX ± 0.04 X.XXX ± 0.02	MECH. ENG. JLA	2020-12-29
	ANGLES ± 0.5°	ELEC. ENG. SPO	2020-12-29
	FRACTIONS ± 1/64	TEST ENG. JRT	2021-01-04
		SALES. ARS	2021-01-04
THIRD ANGLE PROJECTION			



REVISION HISTORY		
REV.	DESCRIPTION	DATE
A	INITIAL RELEASE PER P08032	2011-12-20
B	REVISED PER EC5537	2019-04-11
C	REVISED PER EC5537	2021-01-06

SPECIFICATIONS

- CERTIFICATIONS: **CE**; ECE R10; IP66D
 Note: Unique components, accessories, and hardware kits are not typically included in the Product Certification Test Protocols. Unless otherwise Specified, the Product Certifications referred to herein are predicated upon the base product model configuration.
- SOUND PRESSURE LEVEL: 87 to 112 ± 4 dB (A) @ 1.2m (4ft)
 WARBLE: 112 ± 4 dB (A) @ 1.2m (4ft)
- VOLTAGE (NOMINAL): 12-24 VDC
- VOLTAGE (EXTREME): 9.0-32.0 VDC
- CURRENT (PEAK): 1.28 A (@ 12 VDC NOMINAL)
- POWER (MAXIMUM): 17.9 W (@ 12 VDC NOMINAL)
- TEMPERATURE RANGE: -40°F (-40°C) TO 185°F (85°C)
- FREQUENCY: 700 to 2800 Hz
- CONNECTION: 8 - 32 UNI STUD CONNECTION
- RECOMMENDED MOUNTING: 5/16-18 UNC, GRADE 5 OR BETTER; 5/16" TYPE A, SERIES N OR W WASHERS, TIGHTEN TO 10-12 FT-LB
- HOUSING MATERIAL: GLASS-FILLED NYLON
- PRODUCT WEIGHT: 1.5 LBS (0.68 Kg)



ALARM, DUALFUNC., 87-112dB(A), 12-24VDC

CUSTOMER PART NO. 1059		SIZE: A	DWG. NO. 1059	REV. C
Electronically Controlled Use Latest Copy		SHEET 1 OF 1	Project: P08032	Date Created: 2010-10-14