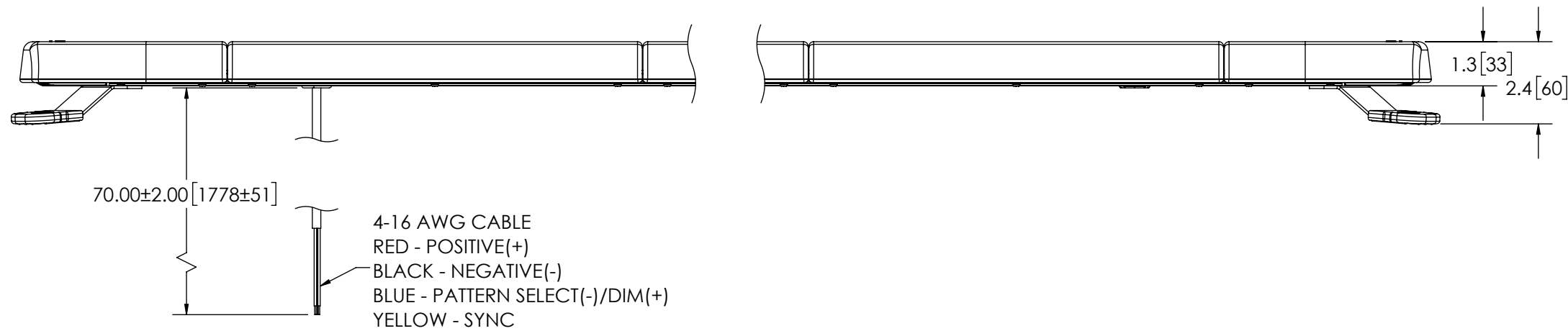
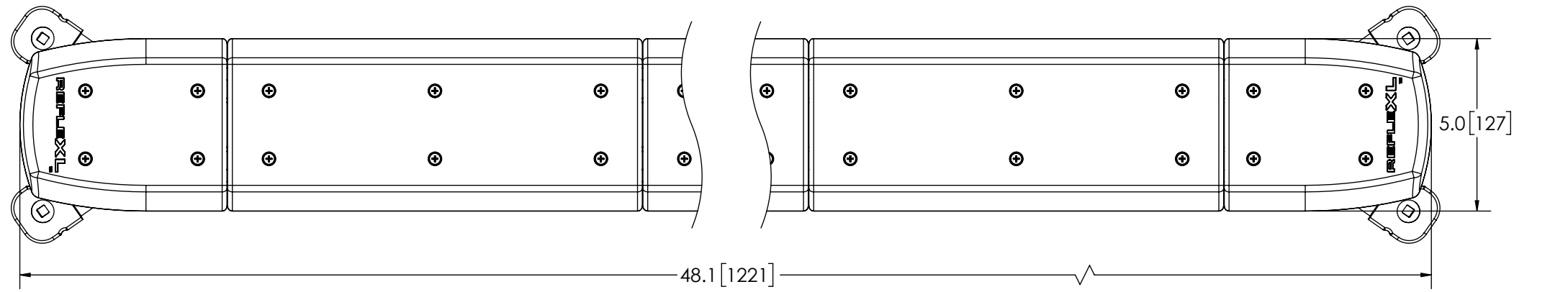
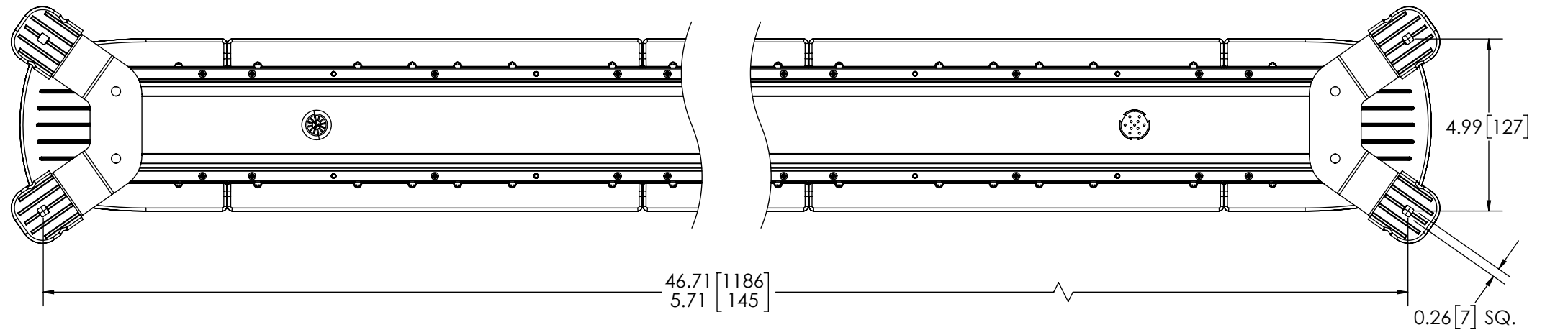


REVISION HISTORY		
REV.	DESCRIPTION	DATE
03	REVISED PER EP0135	2022-05-04
A	INITIAL RELEASE PER EP0135	2022-06-01
B	REVISED PER EP0135	2022-09-13



4-16 AWG CABLE
 RED - POSITIVE(+)
 BLACK - NEGATIVE(-)
 BLUE - PATTERN SELECT(-)/DIM(+)
 YELLOW - SYNC



COLOR CHART	
FGS. NO.	COLOR
11-048CA-E	AMBER

- ### SPECIFICATIONS
- CERTIFICATIONS: **CE**; ECE R10; AMECA/SAE J845 (FEB 2019) CLASS 1A; YELLOW; CA Title 13 CLASS E; ; Reg 65 CertE6 TA1 000429; IP69K
 Note: Unique components, accessories, and hardware kits are not typically included in the Product Certification Test Protocols. Unless otherwise Specified, the Product Certifications referred to herein are predicated upon the base product model configuration.
 - FLASH MODE: SINGLE : 75 ± 5 FLASHES PER MINUTE
 SINGLE : 120 ± 5 FLASHES PER MINUTE
 DOUBLE : 75 ± 5 FLASHES PER MINUTE
 - VOLTAGE (NOMINAL): 12-24 VDC
 - VOLTAGE (EXTREME): 9.0-32 VDC
 - CURRENT (PEAK): 7.72A (@ 12 VDC NOMINAL)
 - POWER (MAXIMUM): 98.8W (@ 12 VDC NOMINAL)
 - TEMPERATURE RANGE: -40°F (-40°C) TO 185°F (85°C)
 - CONNECTION: 4 - 16 AWG CONDUCTOR CABLE
 - MOUNTING: 4 BOLT THROUGH MOUNTING KIT
 - BASE MATERIAL: ALUMINUM
 - LENS MATERIAL: POLYCARBONATE
 - PRODUCT WEIGHT: 7.75 LBS (3.49 Kg)

- NOTES:
- ROHS COMPLIANT
 - DIMENSIONS IN INCHES[MILLIMETERS (FOR REFERENCE)]

PROPRIETARY AND CONFIDENTIAL INFORMATION
 THIS DRAWING AND THE DESIGN AND OTHER INFORMATION DISCLOSED HEREIN ARE THE PROPERTY OF ELECTRONIC CONTROLS COMPANY AND/OR ITS ECCO SAFETY GROUP AFFILIATES ("ECCO") AND IS ISSUED IN CONFIDENCE TO RECIPIENT FOR ENGINEERING INFORMATION PURPOSES ONLY. THIS DRAWING AND THE DESIGN AND OTHER INFORMATION DISCLOSED HEREIN MAY NOT BE USED, COPIED, REPRODUCED OR OTHERWISE DISCLOSED IN PART OR IN WHOLE TO THIRD PARTIES OR USED FOR ANY OTHER PURPOSE WITHOUT PRIOR ECCO WRITTEN CONSENT. ECCO RESERVES ALL PATENT, COPYRIGHT, TRADEMARK AND OTHER PROPRIETARY RIGHTS TO THIS DOCUMENT, INCLUDING ALL DESIGN, MANUFACTURING, REPRODUCTION, USE AND SALES RIGHTS THEREIN. THIS DRAWING IS SUBJECT TO RECALL BY ECCO AT ANY TIME, AND YOUR POSSESSION AND/OR USE CONSTITUTES ACCEPTANCE OF THESE TERMS. ©2022 ELECTRONIC CONTROLS COMPANY

SCALE 1:4	APPROVALS	DATE										
CAD GENERATED DRAWING DO NOT MANUALLY UPDATE.	DRAWN BY BTK	2022-06-27										
	CHECKED ABD	2022-06-28										
	MECH. ENG. NMT	2022-06-30										
TOLERANCES ARE IN INCHES, AND MILLIMETERS TOLERANCES UNLESS OTHERWISE STATED ARE:	ELEC. ENG.											
<table border="0"> <tr> <td> <table border="0"> <tr> <td>XX. ± 1.0mm</td> <td>X.X ± 0.1</td> <td>ANGLES ± 0.5°</td> </tr> <tr> <td>XX.X ± 0.5mm</td> <td>X.XX ± 0.04</td> <td>FRACTIONS ± 1/64</td> </tr> </table> </td> <td>TEST ENG.</td> <td></td> </tr> <tr> <td>THIRD ANGLE PROJECTION</td> <td>SALES.</td> <td></td> </tr> </table>	<table border="0"> <tr> <td>XX. ± 1.0mm</td> <td>X.X ± 0.1</td> <td>ANGLES ± 0.5°</td> </tr> <tr> <td>XX.X ± 0.5mm</td> <td>X.XX ± 0.04</td> <td>FRACTIONS ± 1/64</td> </tr> </table>	XX. ± 1.0mm	X.X ± 0.1	ANGLES ± 0.5°	XX.X ± 0.5mm	X.XX ± 0.04	FRACTIONS ± 1/64	TEST ENG.		THIRD ANGLE PROJECTION	SALES.	
<table border="0"> <tr> <td>XX. ± 1.0mm</td> <td>X.X ± 0.1</td> <td>ANGLES ± 0.5°</td> </tr> <tr> <td>XX.X ± 0.5mm</td> <td>X.XX ± 0.04</td> <td>FRACTIONS ± 1/64</td> </tr> </table>	XX. ± 1.0mm	X.X ± 0.1	ANGLES ± 0.5°	XX.X ± 0.5mm	X.XX ± 0.04	FRACTIONS ± 1/64	TEST ENG.					
XX. ± 1.0mm	X.X ± 0.1	ANGLES ± 0.5°										
XX.X ± 0.5mm	X.XX ± 0.04	FRACTIONS ± 1/64										
THIRD ANGLE PROJECTION	SALES.											

ECCO® www.eccolink.com
 Americas (800) 635-5900 | Europe +44 (0)113 237 5340 | Asia Pacific +61 (0)3 63322444

REFLEX XL48", CLR LENS, DISCRETE WIRE, SINGLE COLOR

CUSTOMER PART NO.
SEE CHART

SIZE: B	DWG. NO. 11-048CX-E	REV. B
Project: EP0135		Date Created: 2022-02-22

Electronically Controlled Use Latest Copy SHEET 1 OF 1