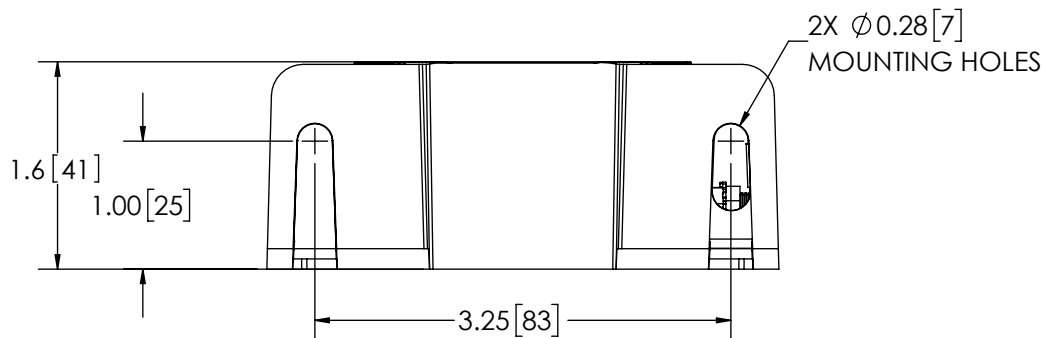
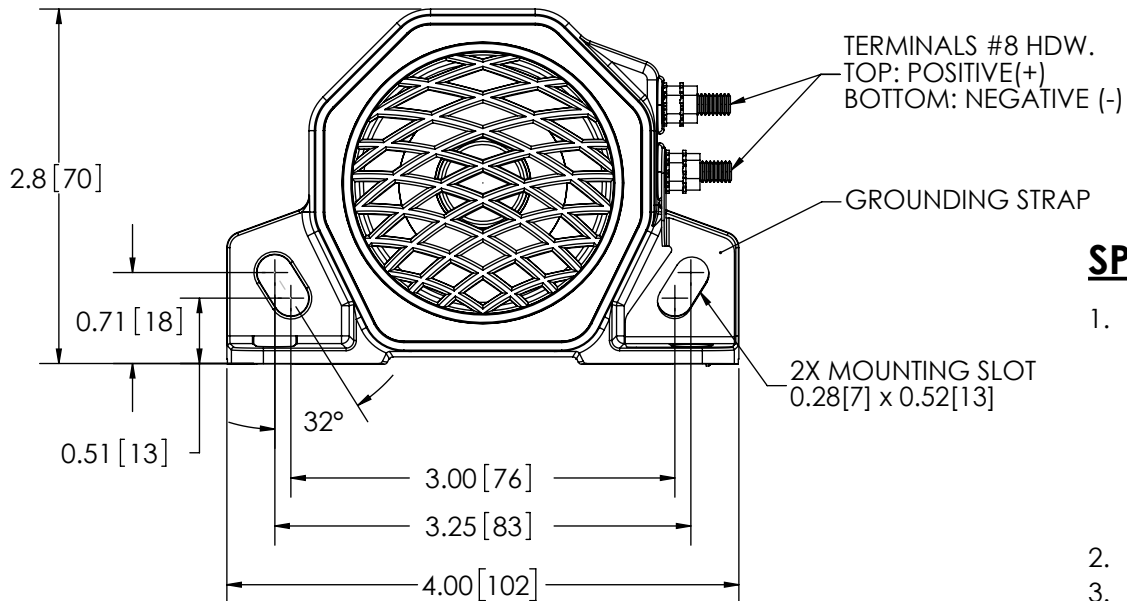


REVISION HISTORY		
REV.	DESCRIPTION	DATE
G	REVISE PER P10014	2012-11-06
H	REVISED	2012-11-06
J	REVISED PER EC6348	2023-04-05



## SPECIFICATIONS

- CERTIFICATIONS:  $\text{CE}$ ; UKCA;  $\text{UL}$ ; ECE R10; IP65D; SAE J994 (SEP 2014), TYPE D

Note: Unique components, accessories, and hardware kits are not typically included in the Product Certification Test Protocols. Unless otherwise Specified, the Product Certifications referred to herein are predicated upon the base product model configuration.

- SOUND PRESSURE LEVEL:  $87 \pm 4$  dB (A) @ 1.2m (4ft)
- VOLTAGE (NOMINAL): 12 to 24 VDC
- VOLTAGE (EXTREME): 9 to 32 VDC
- CURRENT (PEAK): 0.1 A @ 12 VDC NOMINAL
- POWER (MAXIMUM): 2 W @ 12 VDC NOMINAL
- TEMPERATURE RANGE:  $-40^{\circ}\text{F}$  ( $-40^{\circ}\text{C}$ ) to  $185^{\circ}\text{F}$  ( $85^{\circ}\text{C}$ )
- FREQUENCY: 700 to 2800 Hz
- CONNECTION: 8-32 UNI STUD CONNECTION
- RECOMMENDED MOUNTING: 1/4-20 UNC, GRADE 5 OR BETTER, 1/4" TYPE A, SERIES N OR W WASHER
- HOUSING MATERIAL: GLASS FILLED NYLON
- PRODUCT WEIGHT: 0.8 LBS (0.36 Kg)

NOTES:  
1. DIMENSIONS IN INCHES[MILLIMETERS (FOR REFERENCE)]

PROPRIETARY AND CONFIDENTIAL INFORMATION

THIS DRAWING AND THE DESIGN AND OTHER INFORMATION DISCLOSED HEREIN ARE THE PROPERTY OF ELECTRONIC CONTROLS COMPANY AND/OR ITS ECCO SAFETY GROUP AFFILIATES ("ECCO") AND IS ISSUED IN CONFIDENCE TO RECIPIENT FOR ENGINEERING INFORMATION PURPOSES ONLY. THIS DRAWING AND THE DESIGN AND OTHER INFORMATION DISCLOSED HEREIN MAY NOT BE USED, COPIED, REPRODUCED OR OTHERWISE DISCLOSED IN PART OR IN WHOLE TO THIRD PARTIES OR USED FOR ANY OTHER PURPOSE WITHOUT PRIOR ECCO WRITTEN CONSENT. ECCO RESERVES ALL PATENT, COPYRIGHT, TRADEMARK AND OTHER PROPRIETARY RIGHTS TO THIS DOCUMENT, INCLUDING ALL DESIGN, MANUFACTURING, REPRODUCTION, USE AND SALES RIGHTS THERE TO. THIS DRAWING IS SUBJECT TO RECALL BY ECCO AT ANY TIME, AND YOUR POSSESSION AND/OR USE CONSTITUTES ACCEPTANCE OF THESE TERMS. ©2000 ELECTRONIC CONTROLS COMPANY

SCALE 1:1.5		APPROVALS	DATE
CAD GENERATED DRAWING DO NOT MANUALLY UPDATE.		DRAWN BY AH	2023-03-30
		CHECKED BTK	2023-03-30
TOLERANCES ARE IN INCHES, AND MILLIMETERS TOLERANCES UNLESS OTHERWISE STATED ARE:		MECH. ENG. JLA	2023-03-30
		ELEC. ENG. SPO	2023-04-03
MILLIMETERS DECIMALS XX. ± 1.0mm XX.X ± 0.5mm		TEST ENG. JRT	2023-04-03
INCHES DECIMALS X.X ± 0.1 X.XX ± 0.04 X.XXX ± 0.02		SALES.	
ANGLES ± 0.5°			
FRACTIONS ± 1/64			
THIRD ANGLE PROJECTION			

<b>ECCO</b> ® www.eccolink.com Americas (800) 635-5900   Europe +44 (0)113 237 5340   Asia Pacific +61 (0)3 63322444		CUSTOMER PART NO.	
		505	
SIZE: A	DWG. NO.	505	
Electronically Controlled Use Latest Copy		SHEET 1 OF 1	Project: CR# 602
		Date Created: 2000-11-21	REV. J