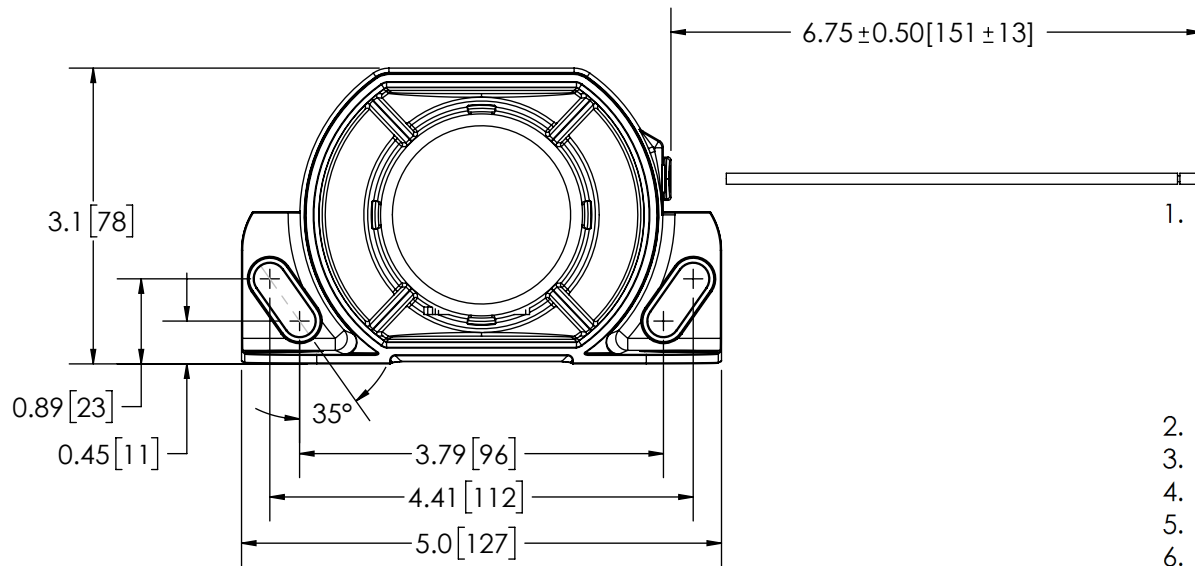


REVISION HISTORY		
REV.	DESCRIPTION	DATE
02	REVISED PER P10017	2012-11-27
A	INITIAL RELEASE PER P10017	2012-12-04
B	REVISE PER EC4227	2016-12-02

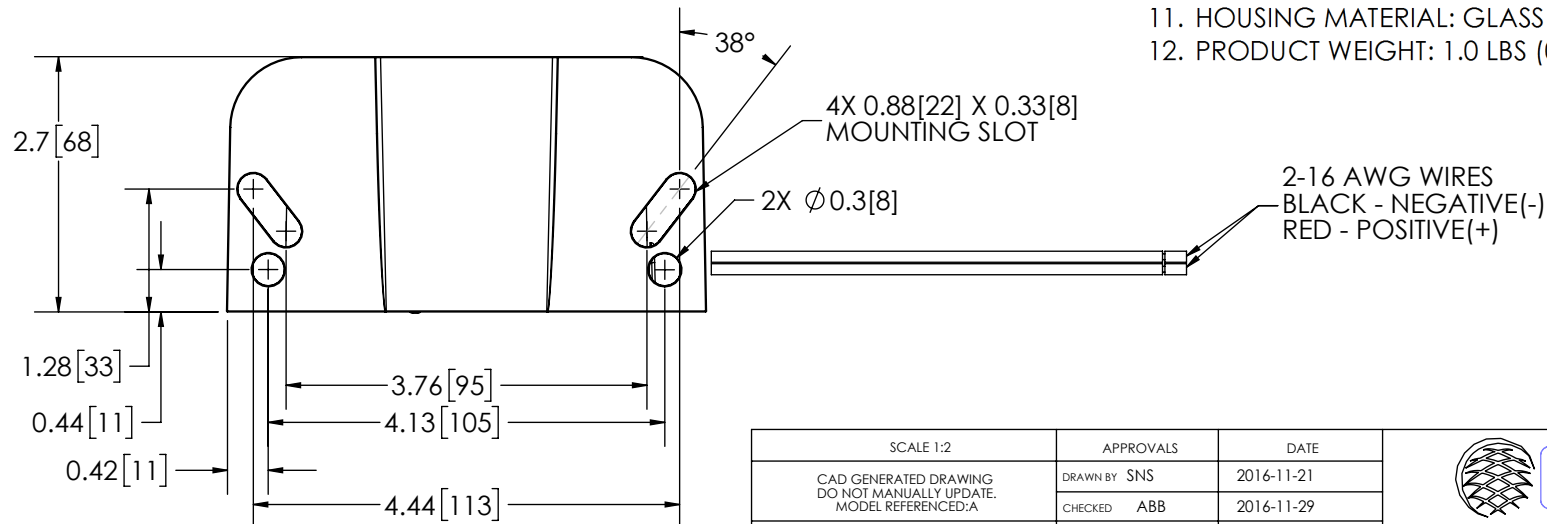


SPECIFICATIONS


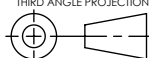
- CERTIFICATIONS: **CE**; **UL**; ECE R10; SAE J994 (MAR. 2009) TYPE B; IP-64D

Note: Unique components, accessories, and hardware kits are not typically included in the Product Certification Test Protocols. Unless otherwise Specified, the Product Certifications referred to herein are predicated upon the base product model configuration.

- SOUND PRESSURE LEVEL: 107 ± 4 dB (A) @ 1.2m (4ft)
- VOLTAGE (NOMINAL): 12 to 36 VDC
- VOLTAGE (EXTREME): 9.0 to 42.0 VDC
- CURRENT (PEAK): 1.22 A (@ 12 VDC NOMINAL)
- POWER (MAXIMUM): 17.1 W (@ 12 VDC NOMINAL)
- TEMPERATURE RANGE: -40°F (-40°C) TO 185°F (85°C)
- FREQUENCY: 700 to 2800 Hz
- CONNECTION: 2-16 AWG WIRES
- RECOMMENDED MOUNTING: 5/16-18 UNC, GRADE 5 OR BETTER; 5/16" TYPE A, SERIES N OR W WASHER
- HOUSING MATERIAL: GLASS FILLED NYLON
- PRODUCT WEIGHT: 1.0 LBS (0.45 Kg)



- NOTES:
- ROHS COMPLIANT
 - DIMENSIONS IN INCHES [MILLIMETERS (FOR REFERENCE)]

SCALE 1:2		APPROVALS	DATE	 www.eccolink.com
CAD GENERATED DRAWING DO NOT MANUALLY UPDATE. MODEL REFERENCED: A		DRAWN BY SNS	2016-11-21	
TOLERANCES ARE IN INCHES, AND MILLIMETERS TOLERANCES UNLESS OTHERWISE STATED ARE:		CHECKED ABB	2016-11-29	
MILLIMETERS DECIMALS XX. ± 1.0mm XX.X ± 0.5mm	INCHES DECIMALS X.X ± 0.1 X.XX ± 0.04 X.XXX ± 0.02	MECH. ENG. JLA	2016-11-22	ALARM, BACK-UP, 107DBA, 12-36VDC, GFN
		ELEC. ENG. JES	2016-12-01	
		TEST ENG. JRT	2016-11-29	CUSTOMER PART NO. 630N
		SALES. DMV	2016-12-01	PRODUCT SERIES: 600
THIRD ANGLE PROJECTION 		SIZE: A	DWG. NO. 630N	REV. B
NON DISCLOSURE AGREEMENT <small>THIS DRAWING AND THE DESIGN IT DISCLOSES ARE THE PRIVATE PROPERTY OF ESG AND IS ISSUED IN CONFIDENCE FOR ENGINEERING INFORMATION ONLY. THE DRAWING AND / OR DESIGN MAY NOT BE USED, COPIED, REPRODUCED, OR OTHERWISE DISCLOSED IN PART OR AS A WHOLE TO OUTSIDERS OR USED FOR ANY OTHER PURPOSE WITHOUT THE PRIOR WRITTEN CONSENT OF ESG. THE DRAWING IS SUBJECT TO RECALL AT ANY TIME. YOUR POSSESSION OF THIS DOCUMENT CONSTITUTES ACCEPTANCE OF THESE TERMS. © 2012 ECCO</small>		Electronically Controlled Use Latest Copy SHEET 1 OF 1 Project: P10017 Date Created: 2012-11-20		