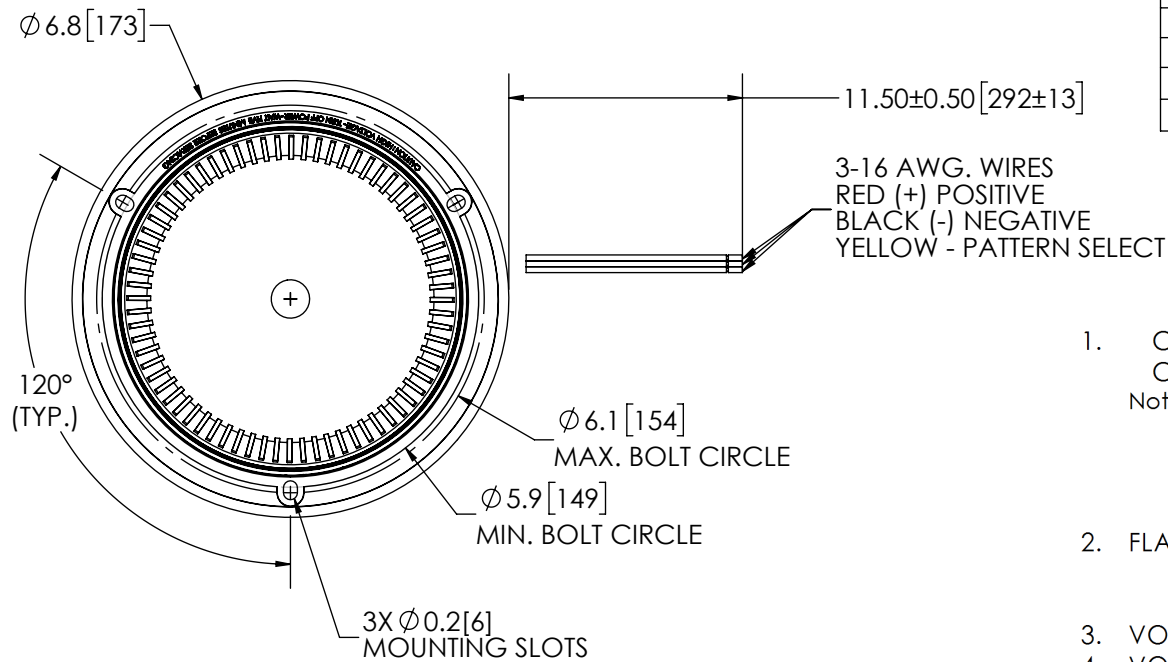
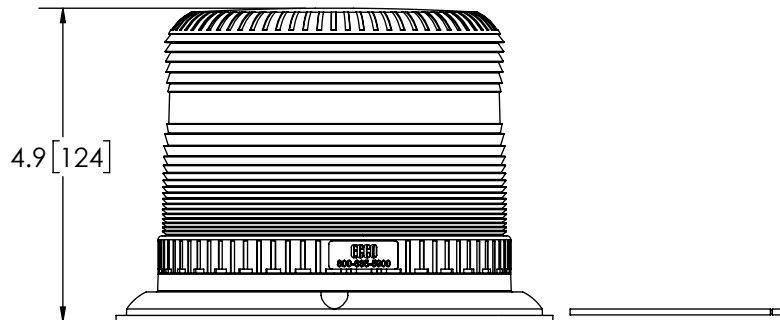


REVISION HISTORY		
REV.	DESCRIPTION	DATE
C	REVISE PER P12027	2014-01-24
D	REVISE PER P12027	2014-06-16
E	REVISE PER EC4254	2016-03-21



SPECIFICATIONS

- CERTIFICATIONS: **CE**; ECE R10; SAE J845 (DEC 2007); SEE CHART
 Note: Unique components, accessories, and hardware kits are not typically included in the Product Certification Test Protocols. Unless otherwise Specified, the Product Certifications referred to herein are predicated upon the base product model configuration.
- FLASH MODE: SINGLE FAST : 120 ± 5 FLASHES PER MINUTE
 DOUBLE : 80 ± 5 FLASHES PER MINUTE
 DOUBLE FAST : 120 ± 5 FLASHES PER MINUTE
- VOLTAGE (NOMINAL): 12 to 24 VDC
- VOLTAGE (EXTREME): 9 to 32 VDC
- CURRENT (PEAK): 3.6A (@ 12 VDC NOMINAL)
- POWER (MAXIMUM): 46.1W (@ 12 VDC NOMINAL)
- TEMPERATURE RANGE: -22°F (-30°C) TO 122°F (50°C)
- CONNECTION: 3-16 AWG. WIRES
- MOUNTING: FLANGE; PIPE MOUNT
- BASE MATERIAL: ALUMINUM
- LENS MATERIAL: POLYCARBONATE
- PRODUCT WEIGHT: 1.5 LBS (0.68 Kg)



FGS PRODUCT CHART				
FGS. NO.	COLOR	CE	R10	SAE J845
7965A	AMBER	X	X	CLASS 1
7965B	BLUE	X	X	CLASS 2
7965C	CLEAR	X	X	CLASS 1
7965G	GREEN	X	X	N/A
7965R	RED	X	X	N/A

- NOTES:
 1. ROHS COMPLIANT
 2. DIMENSIONS IN INCHES[MILLIMETERS(FOR REFERENCE)]

SCALE 1:3		APPROVALS	DATE
CAD GENERATED DRAWING DO NOT MANUALLY UPDATE. MODEL REFERENCED: B+		DRAWN BY	ABB
		CHECKED	ABD
TOLERANCES ARE IN INCHES, AND MILLIMETERS TOLERANCES UNLESS OTHERWISE STATED ARE:		MECH. ENG.	JLA
		ELEC. ENG.	TJT
MILLIMETERS DECIMALS XX. ± 1.0mm XX.X ± 0.5mm		INCHES DECIMALS X.X ± 0.1 X.XX ± 0.04 X.XXX ± 0.02	ANGLES ± 0.5°
			FRACTIONS ± 1/64
THIRD ANGLE PROJECTION		TEST ENG.	JRT
		SALES	LAT
			2016-03-15

 **ECCO**® www.eccolink.com
 Americas (800) 635-5900 | Europe +44 (0)113 237 5340 | Asia Pacific +61 (0)3 63322444

LED BEACON, 360°, CLEAR, 12-24V		
CUSTOMER PART NO. SEE CHART		PRODUCT SERIES: 7900
SIZE: A	DWG. NO. 7965X	REV. E
Electronically Controlled Use Latest Copy		Project: P10021
SHEET 1 OF 1		Date Created: 2011-08-12