



# BEACONS



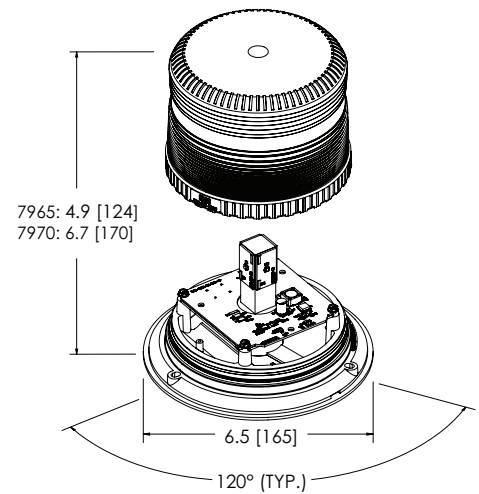
## 7965 SERIES PULSE<sup>®</sup> II LED Beacon

The 7965 Series beacon combines all the major benefits of the latest LED technology with a traditional, strobe style housing at a price point comparable to a strobe. Available in either 5" or 7" height profiles, the 7965 is suitable for a wide range of applications where a high-intensity SAE Class I light is required. The 7965 features 12-24VDC operation and 11 flash patterns that produce an attention-getting warning signal.

### Models

PART NO.	TYPE	MOUNT	LENS COLOR
7965X	5"	3 Bolt / 1" Pipe, VM or HBT	<span style="color: orange;">■</span> A <span style="color: blue;">■</span> B <span style="border: 1px solid black; display: inline-block; width: 10px; height: 10px;"></span> C <span style="color: green;">■</span> G <span style="color: red;">■</span> R
7965A-DEL3	5" Delphi 3-Pin Connector	3 Bolt	<span style="color: orange;">■</span> A
7970X	7"	3 Bolt / 1" Pipe, VM or HBT	<span style="color: orange;">■</span> A <span style="color: blue;">■</span> B <span style="border: 1px solid black; display: inline-block; width: 10px; height: 10px;"></span> C <span style="color: green;">■</span> G <span style="color: red;">■</span> R

Replace "X" with A = Amber, B = Blue, C = Clear, G = Green, R = Red  
 Add "-VM" mounting extension to end of model for vacuum-magnet mount  
 Add "-HBT" mounting extension to end of model for high-bond tape mount



### Design Features

- 12-24 VDC, 3.6 Amps
- Choose profile height: 5" (7965) or 7" (7970)
- 11 flash patterns
- Aluminum base, polycarbonate lens
- Switched cigarette plug adapter (vacuum-magnet models)
- Temperature Range: -22°F to +122°F (-30°C to +50°C)

### Parts & Accessories

- Lenses: 7965 - R6050LX  
7970 - R6070LX