



# Installation and Operation Instructions

## ED3511 LOW PROFILE LED LIGHTHEAD

**IMPORTANT!** Read all instructions before installing and using. Installer: This manual must be delivered to the end user.



**WARNING!**

Failure to install or use this product according to manufacturer's recommendations may result in property damage, serious injury, and/or death to those you are seeking to protect!



**Do not install and/or operate this safety product unless you have read and understood the safety information contained in this manual.**

1. Proper installation combined with operator training in the use, care, and maintenance of emergency warning devices are essential to ensure the safety of emergency personnel and the public.
2. Emergency warning devices often require high electrical voltages and/or currents. Exercise caution when working with live electrical connections.
3. This product must be properly grounded. Inadequate grounding and/or shorting of electrical connections can cause high current arcing, which can cause personal injury and/or severe vehicle damage, including fire.
4. Proper placement and installation is vital to the performance of this warning device. Install this product so that output performance of the system is maximized and the controls are placed within convenient reach of the operator so that they can operate the system without losing eye contact with the roadway.
5. Do not install this product or route any wires in the deployment area of an air bag. Equipment mounted or located in an air bag deployment area may reduce the effectiveness of the air bag or become a projectile that could cause serious personal injury or death. Refer to the vehicle owner's manual for the air bag deployment area. It is the responsibility of the user/operator to determine a suitable mounting location ensuring the safety of all passengers inside the vehicle particularly avoiding areas of potential head impact.
6. It is the responsibility of the vehicle operator to ensure daily that all features of this product work correctly. In use, the vehicle operator should ensure the projection of the warning signal is not blocked by vehicle components (i.e., open trunks or compartment doors), people, vehicles or other obstructions.
7. The use of this or any other warning device does not ensure all drivers can or will observe or react to an emergency warning signal. Never take the right-of-way for granted. It is the vehicle operator's responsibility to be sure they can proceed safely before entering an intersection, drive against traffic, respond at a high rate of speed, or walk on or around traffic lanes.
8. This equipment is intended for use by authorized personnel only. The user is responsible for understanding and obeying all laws regarding emergency warning devices. Therefore, the user should check all applicable city, state, and federal laws and regulations. The manufacturer assumes no liability for any loss resulting from the use of this warning device.

### Specifications

<b>Size:</b>	3.3" x 1.08" x 0.4"				
			<b>SINGLE COLOR</b>	<b>DUAL COLOR</b>	
		<b>Weight:</b>	0.112 lb	0.120 lb	
<b>Input Voltage:</b>	12-24 VDC				
		<b>Current (Max):</b>	Amber 0.44 A	Amber	0.92 A
			Blue 1.13 A	Blue	1.37 A
			Red 1.11 A	Red	1.41 A
			White 1.12 A	White	1.26 A
			Green 0.57 A		
<b>Temp. Range:</b>	-40°C to 65°C				
		<b>Power (Max):</b>	Amber 11.37 W	Amber	23.50 W
			Blue 28.98 W	Blue	35.02 W
			Red 28.47 W	Red	36.15 W
			White 28.62 W	White	32.15 W
			Green 14.54 W		

## Installation and Mounting

Before installation, examine the LED heads for transit damage. Do not use damaged or broken parts.

**IMPORTANT!** This unit is a safety device and it must be connected to its own separate, fused power point to assure its continued operation should any other electrical accessory fail.

**Step 1.** Mark three points 1.5 in apart on mounting surface. See Figure 1.

**Step 2.** Drill two outer holes with 5/64 in drill bit.

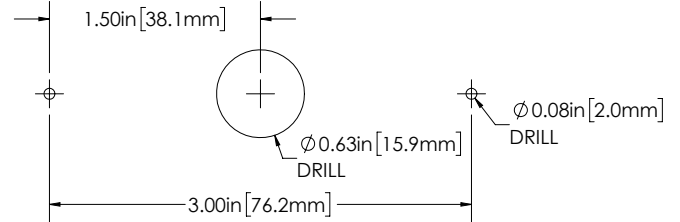
**Step 3.** Drill center hole to 5/8 in.

**Step 4.** Feed wires through center hole.

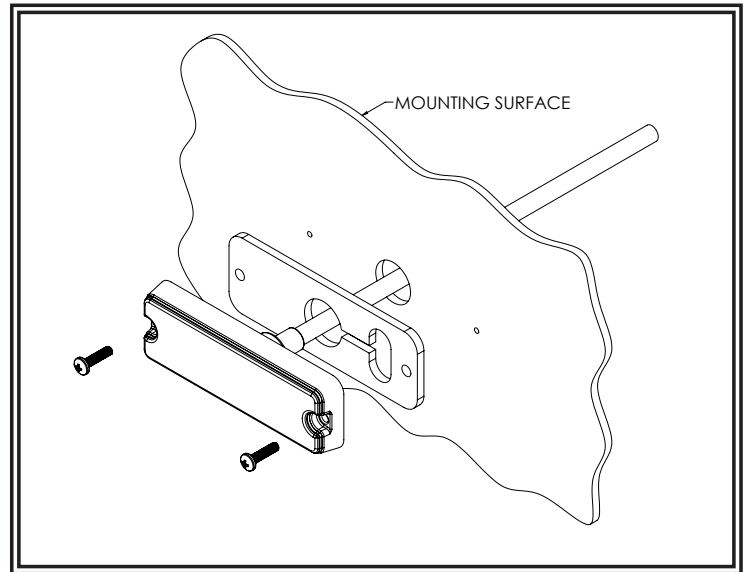
**Step 5.** Use provided screws to mount light to surface in two outer holes.

**NOTE: DO NOT MAKE THE HOLES IN THE LENS LARGER, OR USE LARGER HARDWARE THAN WHAT IS PROVIDED! DAMAGE TO SEAL WILL RESULT!**

**CAUTION!** When drilling into any vehicle surface, make sure that the area is free from any electrical wires, fuel lines, vehicle upholstery, etc. that could be damaged.



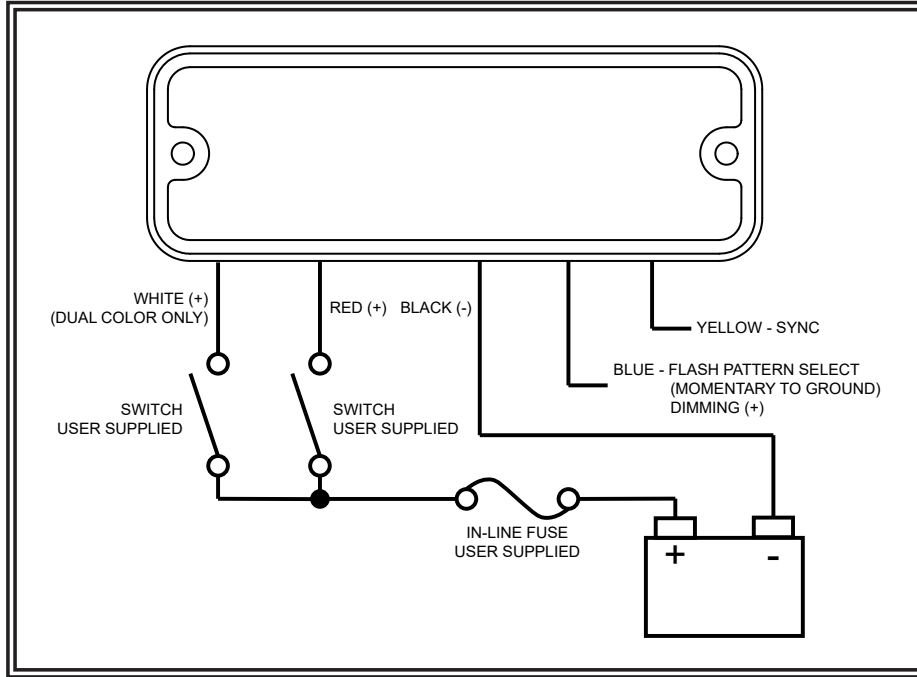
**Figure 1**



**Figure 2**

## Wiring Instructions

All wiring should be stranded and a minimum of 20 AWG. The positive line must have an in-line 3 AMP slow-blow fuse for each directional as shown in FIGURE 3. Isolate the yellow and blue wires when not in use.



**Figure 3**

## Flash Patterns

To select a flash pattern, apply power to the RED (single color models) or WHITE or both RED and WHITE (dual color models) wires. Apply blue to black wire for flash pattern change:

Push Times	Function
0-1 secs.	next pattern
1-3 secs.	previous pattern
3-5 secs.	factory default pattern
5+ secs.	last pattern

### Dimming Function:

Connect blue wire to Red power wire.

### Synchronization:

The ED3511 series is capable of syncing with other compatible ECCO products by following these steps:

**Step 1.** Set the desired flash pattern on each unit individually. It is also strongly recommended that the same style of flash pattern be used on all units to produce the most effective warning pattern. NOTE: Phases A and B for each style of flash pattern in the table denote the relative timing between units connected in a synchronizing installation. To operate simultaneously, each unit must be set to the same phase (A + A or B + B); to operate alternately, units must be set to have the opposite phase (A + B or B + A).

**Step 2.** Connect the yellow sync wires together and check that the units are flashing in a synchronized manner as expected. If a pattern on one unit appears incorrect, the blue pattern select wire can be used to cycle forward or backward on that individual unit until the correct pattern is selected. NOTE: This will only change the pattern in the one unit and will not affect the other units connected to the yellow sync wire.

**NOTE: ED3511 series does not sync with 3510 models.**

Single Color Flash Pattern Chart/Tabla de patrones de parpadeo de color único/  
Tableau des modes de clignotements unicolores/Einfarbige Leuchtmustertabelle

Pattern	Sequence	Description	FPM	Phase	Sync	SAE J595				CA T13			ECE R65		
						Amber	Blue	White	Red	Amber	Blue	Red	Amber	Blue	Red
1	1	Single Flash	75	A	yes	Class 1	Class 1	Class 1	Class 1	Class B	Class B	Class B	-	-	-
	2	Single Flash	75	B	yes	Class 1	Class 1	Class 1	Class 1	Class B	Class B	Class B	-	-	-
	3	Single Flash Alt.	75	-	yes	-	-	-	-	-	-	-	-	-	-
2	4	Single Flash	120	A	yes	Class 1	Class 1	Class 1	Class 1	-	-	-	Class 1	Class 1	Class 1
	5	Single Flash	120	B	yes	Class 1	Class 1	Class 1	Class 1	-	-	-	Class 1	Class 1	Class 1
	6	Single Flash Alt.	120	-	yes	-	-	-	-	-	-	-	-	-	-
3	7	Double Flash	75	A	yes	Class 1	Class 2	Class 2	Class 1	Class B	Class B	Class B	-	-	-
	8	Double Flash	75	B	yes	Class 1	Class 2	Class 2	Class 1	Class B	Class B	Class B	-	-	-
	9	Double Flash Alt.	75	-	yes	-	-	-	-	-	-	-	-	-	-
4	10	Double Flash	120	A	yes	Class 1	Class 1	Class 1	Class 1	-	-	-	Class 1	Class 1	Class 1
	11	Double Flash	120	B	yes	Class 1	Class 1	Class 1	Class 1	-	-	-	Class 1	Class 1	Class 1
	12	Double Flash Alt.	120	-	yes	-	-	-	-	-	-	-	-	-	-
5	13	Quad Flash	75	A	yes	Class 1	Class 2	Class 2	Class 1	Class B	Class B	Class B	-	-	-
	14	Quad Flash	75	B	yes	Class 1	Class 2	Class 2	Class 1	Class B	Class B	Class B	-	-	-
	15	Quad Flash Alt.	75	-	yes	-	-	-	-	-	-	-	-	-	-
6	16	Quad Flash	150	A	yes	Class 1	Class 1	Class 1	Class 1	-	-	-	Class 1	Class 1	Class 1
	17	Quad Flash	150	B	yes	Class 1	Class 1	Class 1	Class 1	-	-	-	Class 1	Class 1	Class 1
	18	Quad Flash Alt	150	-	yes	-	-	-	-	-	-	-	-	-	-
7	19	Triple	75	A	yes	Class 1	Class 2	Class 2	Class 1	-	-	-	-	-	-
	20	Triple	75	B	yes	Class 1	Class 2	Class 2	Class 1	-	-	-	-	-	-
	21	Triple Alt.	75	-	yes	-	-	-	-	-	-	-	-	-	-
8	22	Quint Flash	150	A	yes	Class 1	Class 2	Class 2	Class 1	-	-	-	-	-	-
	23	Quint Flash	150	B	yes	Class 1	Class 2	Class 2	Class 1	-	-	-	-	-	-
	24	Quint Flash Alt.	150	-	yes	-	-	-	-	-	-	-	-	-	-
9	25	Steady - Single	-	-	no	-	-	-	-	-	-	-	-	-	-
10	26	Steady Burn	-	-	no	-	-	-	-	-	-	-	-	-	-
11	27	Modulation	-	-	no	-	-	-	-	-	-	-	-	-	-
12	28	2 Double Flash, 2 Triple Alt.	-	-	no	-	-	-	-	-	-	-	-	-	-
13	29	4 Single Flash, 2 Quad Flash Alt	-	-	no	-	-	-	-	-	-	-	-	-	-

Dual Color Flash Pattern Chart/Tabla de patrones de parpadeo de color doble/Tableau des modes de clignotements bicolor/Zweifarbige Leuchtmustertabelle

Pattern	LED Color 1 &3 Red Wire	LED Color 2&4 White Wire	LED Color 1 &3 LED Color 2&4 Red & White Wires	PATTERNS	FPM	PHASE	SYNC.	SAE J595				CA T13			ECE R65		
								Amber	Blue	White	Red	Amber	Blue	Red	Amber	Blue	Red
1	1-Default		1	Single - Color 1 Synchronous Color 3	75	A	yes	Class 1	Class 1	Class 1	Class 1	Class B	Class B	Class B	-	-	-
	2		2	Single - Color 1 Synchronous Color 3	75	B	yes	Class 1	Class 1	Class 1	Class 1	Class B	Class B	Class B	-	-	-
	3		3	Single - Color 1 Alternately Color 4	75	A	yes	-	-	-	-	-	-	-	-	-	-
			4	Single - Color 1 Alternately Color 4	75	B	yes	-	-	-	-	-	-	-	-	-	-
		1-Default	5	Single - Color 2 Synchronous Color 4	75	A	yes	Class 1	Class 1	Class 1	Class 1	Class B	Class B	Class B	-	-	-
		2	6	Single - Color 2 Synchronous Color 4	75	B	yes	Class 1	Class 1	Class 1	Class 1	Class B	Class B	Class B	-	-	-
	3	3	7	Single - Color 1 Synchronous Color 3) Alternately (Color 2 Synchronous Color 4)	75	A	yes	-	-	-	-	-	-	-	-	-	-
	4	4	8	Single - Color 1 Synchronous Color 3) Alternately (Color 2 Synchronous Color 4)	75	B	yes	-	-	-	-	-	-	-	-	-	-
	5	5	9	Single - Color 1 Alternately Color 2) Alternately (Color 3 Alternately Color 4)	75	N/A	yes	-	-	-	-	-	-	-	-	-	-
	6		10	Single - Color 1 Synchronous Color 3	375	A	yes	-	-	-	-	-	-	-	-	-	-
2			11	Single Color 1 Synchronous Color 3	375	B	yes	-	-	-	-	-	-	-	-	-	-
			12	Single - Color 1 Alternately Color 4	375	A	yes	-	-	-	-	-	-	-	-	-	-
			13	Single Color 1 Alternately Color 4	375	B	yes	-	-	-	-	-	-	-	-	-	-
		6	14	Single - Color 2 Synchronous Color 4	375	A	yes	-	-	-	-	-	-	-	-	-	-
		7	15	Single Color 2 Synchronous Color 4	375	B	yes	-	-	-	-	-	-	-	-	-	-
	8	8	16	Single - Color 1 Synchronous Color 3) Alternately (Color 2 Synchronous Color 4)	375	A	yes	-	-	-	-	-	-	-	-	-	-
	9	9	17	Single (Color 1 Synchronous Color 3) Alternately (Color 2 Synchronous Color 4)	375	B	yes	-	-	-	-	-	-	-	-	-	-
	10	10	18	Single - Color 1 Alternately Color 2) Alternately (Color 3 Alternately Color 4)	375	N/A	yes	-	-	-	-	-	-	-	-	-	-
	11		19	Double - Color 1 Synchronous Color 3	75	A	yes	Class 1	Class 1	Class 1	Class 1	Class B	Class B	Class B	-	-	-
	12		20	Double Color 1 Synchronous Color 3	75	B	yes	Class 1	Class 1	Class 1	Class 1	Class B	Class B	Class B	-	-	-
3			21	Double - Color 1 Alternately Color 4	75	A	yes	-	-	-	-	-	-	-	-	-	-
			22	Double Color 1 Alternately Color 4	75	B	yes	-	-	-	-	-	-	-	-	-	-
		11	23	Double - Color 2 Synchronous Color 4	75	A	yes	Class 1	Class 1	Class 1	Class 1	Class B	Class B	Class B	-	-	-
		12	24	Double Color 2 Synchronous Color 4	75	B	yes	Class 1	Class 1	Class 1	Class 1	Class B	Class B	Class B	-	-	-
	13	13	25	Double - Color 1 Synchronous Color 3) Alternately (Color 2 Synchronous Color 4)	75	A	yes	-	-	-	-	-	-	-	-	-	-
	14	14	26	Double (Color 1 Synchronous Color 3) Alternately (Color 2 Synchronous Color 4)	75	B	yes	-	-	-	-	-	-	-	-	-	-
	15	15	27	Double - Color 1 Alternately Color 2) Alternately (Color 3 Alternately Color 4)	75	N/A	yes	-	-	-	-	-	-	-	-	-	-
	16		28	Double - Color 1 Synchronous Color 3	120	A	yes	Class 1	Class 1	Class 1	Class 1	-	-	-	Class 1	Class 1	Class 1
	17		29	Double Color 1 Synchronous Color 3	120	B	yes	Class 1	Class 1	Class 1	Class 1	-	-	-	Class 1	Class 1	Class 1
			30	Double - Color 1 Alternately Color 4	120	A	yes	-	-	-	-	-	-	-	-	-	-
4			31	Double Color 1 Alternately Color 4	120	B	yes	-	-	-	-	-	-	-	-	-	-
		16	32	Double - Color 2 Synchronous Color 4	120	A	yes	Class 1	Class 1	Class 1	Class 1	-	-	-	Class 1	Class 1	Class 1
		17	33	Double Color 2 Synchronous Color 4	120	B	yes	Class 1	Class 1	Class 1	Class 1	-	-	-	Class 1	Class 1	Class 1
	18	18	34	Double - Color 1 Synchronous Color 3) Alternately (Color 2 Synchronous Color 4)	120	A	yes	-	-	-	-	-	-	-	-	-	-
	19	19	35	Double (Color 1 Synchronous Color 3) Alternately (Color 2 Synchronous Color 4)	120	B	yes	-	-	-	-	-	-	-	-	-	-
	20	20	36	Double - Color 1 Alternately Color 2) Alternately (Color 3 Alternately Color 4)	120	N/A	yes	-	-	-	-	-	-	-	-	-	-
	21		37	Triple - Color 1 Synchronous Color 3	75	A	yes	Class 1	Class 1	Class 1	Class 1	-	-	-	-	-	-
	22		38	Triple Color 1 Synchronous Color 3	75	B	yes	Class 1	Class 1	Class 1	Class 1	-	-	-	-	-	-
			39	Triple - Color 1 Alternately Color 4	75	A	yes	-	-	-	-	-	-	-	-	-	-
			40	Triple Color 1 Alternately Color 4	75	B	yes	-	-	-	-	-	-	-	-	-	-
5		21	41	Triple - Color 2 Synchronous Color 4	75	A	yes	Class 1	Class 1	Class 1	Class 1	-	-	-	-	-	-
		22	42	Triple Color 2 Synchronous Color 4	75	B	yes	Class 1	Class 1	Class 1	Class 1	-	-	-	-	-	-
	23	23	43	Triple - Color 1 Synchronous Color 3) Alternately (Color 2 Synchronous Color 4)	75	A	yes	Class 1	Class 1	Class 1	Class 1	-	-	-	-	-	-
	24	24	44	Triple (Color 1 Synchronous Color 3) Alternately (Color 2 Synchronous Color 4)	75	B	yes	-	-	-	-	-	-	-	-	-	-
	25	25	45	Triple - Color 1 Alternately Color 2) Alternately (Color 3 Alternately Color 4)	75	N/A	yes	-	-	-	-	-	-	-	-	-	-
	26		46	Quad - Color 1 Synchronous Color 3	75	A	yes	Class 1	Class 1	Class 1	Class 1	Class B	Class B	Class B	-	-	-
	27		47	Quad Color 1 Synchronous Color 3	75	B	yes	Class 1	Class 1	Class 1	Class 1	Class B	Class B	Class B	-	-	-
			48	Quad - Color 1 Alternately Color 4	75	A	yes	-	-	-	-	-	-	-	-	-	-
			49	Quad Color 1 Alternately Color 4	75	B	yes	-	-	-	-	-	-	-	-	-	-
		26	50	Quad - Color 2 Synchronous Color 4	75	A	yes	Class 1	Class 1	Class 1	Class 1	Class B	Class B	Class B	-	-	-
6		27	51	Quad - Color 2 Synchronous Color 4	75	B	yes	Class 1	Class 1	Class 1	Class 1	Class B	Class B	Class B	-	-	-
	28	28	52-Default	Quad - Color 1 Synchronous Color 3) Alternately (Color 2 Synchronous Color 4)	75	A	yes	-	-	-	-	-	-	-	-	-	-
	29	29	53	Quad (Color 1 Synchronous Color 3) Alternately (Color 2 Synchronous Color 4)	75	B	yes	-	-	-	-	-	-	-	-	-	-
	30	30	54	Quad - Color 1 Alternately Color 2) Alternately (Color 3 Alternately Color 4)	75	N/A	yes	-	-	-	-	-	-	-	-	-	-
	31		55	Quad - Color 1 Synchronous Color 3	120	A	yes	Class 1	Class 1	Class 1	Class 1	-	-	-	Class 1	Class 1	Class 1
	32		56	Quad Color 1 Synchronous Color 3	120	B	yes	Class 1	Class 1	Class 1	Class 1	-	-	-	Class 1	Class 1	Class 1
			57	Quad - Color 1 Alternately Color 4	120	A	yes	-	-	-	-	-	-	-	-	-	-
			58	Quad Color 1 Alternately Color 4	120	B	yes	-	-	-	-	-	-	-	-	-	-
		31	59	Quad - Color 2 Synchronous Color 4	120	A	yes	Class 1	Class 1	Class 1	Class 1	-	-	-	Class 1	Class 1	Class 1
		32	60	Quad Color 2 Synchronous Color 4	120	B	yes	Class 1	Class 1	Class 1	Class 1	-	-	-	Class 1	Class 1	Class 1
7	33	33	61	Quad - Color 1 Synchronous Color 3) Alternately (Color 2 Synchronous Color 4)	120	A	yes	-	-	-	-	-	-	-	-	-	-
	34	34	62	Quad (Color 1 Synchronous Color 3) Alternately (Color 2 Synchronous Color 4)	120	B	yes	-	-	-	-	-	-	-	-	-	-
	35	35	63	Quad - Color 1 Alternately Color 2) Alternately (Color 3 Alternately Color 4)	120	N/A	yes	-	-	-	-	-	-	-	-	-	-
	8		64	Modulation (Color 1 Synchronous Color 3) Alternately (Color 2 Synchronous Color 4)	N/A	N/A	no	-	-	-	-	-	-	-	-	-	-
	9		65	2 Double, 2 Quad (Color 1 Synchronous Color 3) Alternately (Color 2 Synchronous Color 4)	N/A	N/A	no	-	-	-	-	-	-	-	-	-	-
	10		66	4 Single, 2 Triple (Color 1 Synchronous Color 3) Alternately (Color 2 Synchronous Color 4)	N/A	N/A	no	-	-	-	-	-	-	-	-	-	-
	11		67	1 Double, 1 Triple, 1 Quad (Color 1 Synchronous Color 3) Alternately (Color 2 Synchronous Color 4)	N/A	N/A	no	-	-	-	-	-	-	-	-	-	-
	12	36	68	Steady burn-Color 1 & 3	N/A	N/A	no	-	-	-	-	-	-	-	-	-	-
		36	69	Steady burn-Color 2 & 4	N/A	N/A	no	-	-	-	-	-	-	-	-	-	-

## Warranty

### Manufacturer Limited Warranty and Limitation of Liability:

Manufacturer warrants that on the date of purchase, this product will conform to Manufacturer's specifications for this product (which are available from the Manufacturer upon request). This Limited Warranty extends for sixty (60) months from the date of purchase.

DAMAGE TO PARTS OR PRODUCTS RESULTING FROM TAMPERING, ACCIDENT, ABUSE, MISUSE, NEGLIGENCE, UNAPPROVED MODIFICATIONS, FIRE OR OTHER HAZARD; IMPROPER INSTALLATION OR OPERATION; OR NOT BEING MAINTAINED IN ACCORDANCE WITH THE MAINTENANCE PROCEDURES SET FORTH IN MANUFACTURER'S INSTALLATION AND OPERATING INSTRUCTIONS VOIDS THIS LIMITED WARRANTY.

### Exclusion of Other Warranties:

MANUFACTURER MAKES NO OTHER WARRANTIES, EXPRESSED OR IMPLIED. THE IMPLIED WARRANTIES FOR MERCHANTABILITY, QUALITY OR FITNESS FOR A PARTICULAR PURPOSE, OR ARISING FROM A COURSE OF DEALING, USAGE OR TRADE PRACTICE ARE HEREBY EXCLUDED AND SHALL NOT APPLY TO THE PRODUCT AND ARE HEREBY DISCLAIMED, EXCEPT TO THE EXTENT PROHIBITED BY APPLICABLE LAW. ORAL STATEMENTS OR REPRESENTATIONS ABOUT THE PRODUCT DO NOT CONSTITUTE WARRANTIES.

### Remedies and Limitation of Liability:

MANUFACTURER'S SOLE LIABILITY AND BUYER'S EXCLUSIVE REMEDY IN CONTRACT, TORT (INCLUDING NEGLIGENCE), OR UNDER ANY OTHER THEORY AGAINST MANUFACTURER REGARDING THE PRODUCT AND ITS USE SHALL BE, AT MANUFACTURER'S DISCRETION, THE REPLACEMENT OR REPAIR OF THE PRODUCT, OR THE REFUND OF THE PURCHASE PRICE PAID BY BUYER FOR NON-CONFORMING PRODUCT. IN NO EVENT SHALL MANUFACTURER'S LIABILITY ARISING OUT OF THIS LIMITED WARRANTY OR ANY OTHER CLAIM RELATED TO THE MANUFACTURER'S PRODUCTS EXCEED THE AMOUNT PAID FOR THE PRODUCT BY BUYER AT THE TIME OF THE ORIGINAL PURCHASE. IN NO EVENT SHALL MANUFACTURER BE LIABLE FOR LOST PROFITS, THE COST OF SUBSTITUTE EQUIPMENT OR LABOR, PROPERTY DAMAGE, OR OTHER SPECIAL, CONSEQUENTIAL, OR INCIDENTAL DAMAGES BASED UPON ANY CLAIM FOR BREACH OF CONTRACT, IMPROPER INSTALLATION, NEGLIGENCE, OR OTHER CLAIM, EVEN IF MANUFACTURER OR A MANUFACTURER'S REPRESENTATIVE HAS BEEN ADVISED OF THE POSSIBILITY OF SUCH DAMAGES. MANUFACTURER SHALL HAVE NO FURTHER OBLIGATION OR LIABILITY WITH RESPECT TO THE PRODUCT OR ITS SALE, OPERATION AND USE, AND MANUFACTURER NEITHER ASSUMES NOR AUTHORIZES THE ASSUMPTION OF ANY OTHER OBLIGATION OR LIABILITY IN CONNECTION WITH SUCH PRODUCT.

This Limited Warranty defines specific legal rights. You may have other legal rights which vary from jurisdiction to jurisdiction. Some jurisdictions do not allow the exclusion or limitation of incidental or consequential damages.



833 West Diamond St, Boise, Idaho 83705  
**Customer Service** USA 800-635-5900  
UK +44 (0)113 237 5340 | AUS +61 (0)3 63322444  
**ECCOESG.com**




# Instrucciones de instalación y operación ED3511 CABEZAL DE LUZ LED DE BAJO PERFIL

¡IMPORTANTE! Lea todas las instrucciones antes de instalar y utilizar. Instalador: Este manual se debe entregar al usuario final.



## ¡ADVERTENCIA!

Si no sigue las instrucciones del fabricante a la hora de instalar o usar el producto, pueden producirse daños materiales, y lesiones graves o incluso mortales a aquellos que pretende proteger!

 No instale ni opere este producto de seguridad, a menos que haya leído y comprendido la información de seguridad contenida en este manual.

1. Para garantizar su propia seguridad y la de las personas a las que intenta proteger, es esencial una instalación correcta, combinada con la formación de operador en el uso, cuidado y mantenimiento de los dispositivos de alerta de emergencia.
2. Tenga cuidado cuando manipule conexiones eléctricas con corriente.
3. Este producto debe estar conectado a tierra correctamente. Una conexión a tierra incorrecta o unas conexiones eléctricas cortocircuitadas pueden provocar arcos de corriente alta, lo que puede ocasionar lesiones personales o daños graves en el vehículo, incluso un incendio.
4. La colocación e instalación adecuadas son vitales para el buen funcionamiento de este dispositivo de alarma. Instale este producto de forma que permita un rendimiento óptimo del sistema y los controles estén situados de modo que el operador pueda alcanzarlos cómodamente y manejar el sistema sin perder en ningún momento el contacto visual con la calzada.
5. No instale este producto ni coloque los cables en la zona de despliegue de un airbag. Si el equipo se monta o coloca en la zona de despliegue de un airbag, el airbag perderá eficacia o el equipo puede salir despedido, lo cual puede causar lesiones graves o incluso mortales. Consulte el manual del propietario del vehículo para conocer la zona de despliegue de los airbags. El usuario u operador son responsables de determinar una posición de montaje adecuada que garantice la seguridad de todos los ocupantes del vehículo, y deben evitar zonas que puedan provocar golpes en la cabeza.
6. Es responsabilidad del operador del vehículo asegurarse de que todas las características de este producto funcionan correctamente durante su uso. Durante su uso, el operador del vehículo debe asegurarse de que no haya componentes del vehículo (como los maleteros o puertas del habitáculo abiertos), personas, vehículos u otros obstáculos que bloqueen la señal de alarma.
7. El uso de este o cualquier otro dispositivo de alarma no garantiza que los conductores puedan o quieran observar o reaccionar a la señal de alarma. Nunca dé por hecho que tiene prioridad de paso. Es responsabilidad enteramente suya asegurarse de que puede continuar de forma segura antes de entrar en una intersección, conducir en sentido contrario, responder a una gran velocidad o caminar por los carriles de tráfico o cerca de ellos.
8. El uso de este equipo está destinado exclusivamente a personal autorizado. El usuario es responsable de conocer y acatar todas las leyes vigentes relacionadas con dispositivos de señales de advertencia. Por lo tanto, el usuario debe comprobar todas las leyes y normativas de ámbito metropolitano, regional, nacional y cualquier otro ámbito pertinente. El fabricante no asume responsabilidad alguna por pérdidas derivadas del uso de este dispositivo de alarma.

## Especificaciones:

Tamaño: 83,82 mm x 27,43mm x 10,16mm

Tensión de entrada: 12-24 VDC

Rango de temperatura: -40°C to 65°C/-40°F to 149°F

	COLOR ÚNICO		COLOR DOBLE	
Peso:	0,05 kg		0,005 kg	
Consumo máximo de corriente:	Ámbar	0,44 A	Ámbar	0,92 A
	Azul	1,13 A	Azul	1,37 A
	Rojo	1,11 A	Rojo	1,41 A
	Blanca	1,12 A	Blanca	1,26 A
	Verde	0,57 A		
Potencia máxima:	Ámbar	11,37 W	Ámbar	23,50 W
	Azul	28,98 W	Azul	35,02 W
	Rojo	28,47 W	Rojo	36,15 W
	Blanca	28,62 W	Blanca	32,15 W
	Verde	14,54 W		

## Instalación y montaje

Antes de la instalación, examine los cabezales LED para detectar daños durante el transporte. No utilice piezas dañadas o rotas.

**¡IMPORTANTE!** Esta unidad es un dispositivo de seguridad y se debe conectar a su propia fuente de poder de fusibles separada para asegurar su funcionamiento continuo si cualquier otro accesorio eléctrico falla.

**Paso 1.** Marque tres puntos con una separación de 38,1 mm (1,5 in) en la superficie de montaje. Consulte la Figura 1.

**Paso 2.** Perfore dos orificios exteriores con una broca de 1,98 mm (5/64 in).

**Paso 3.** Perfore un orificio central a 15,87 mm (5/8 in).

**Paso 4.** Pase los cables a través del orificio central.

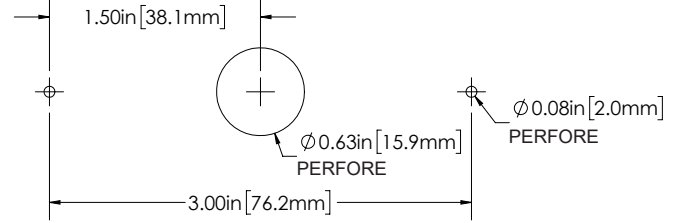
**Paso 5.** Utilice los tornillos proporcionados para montar la luz en la superficie en los dos orificios exteriores.

**NOTA: NO HAGA ORIFICIOS MÁS GRANDES EN LA LENTE NI UTILICE TORNILLERÍA DE MAYOR TAMAÑO QUE LA QUE SE PROPORCIONA. ESTO PROVOCARÁ DAÑOS EN EL SELLO.**

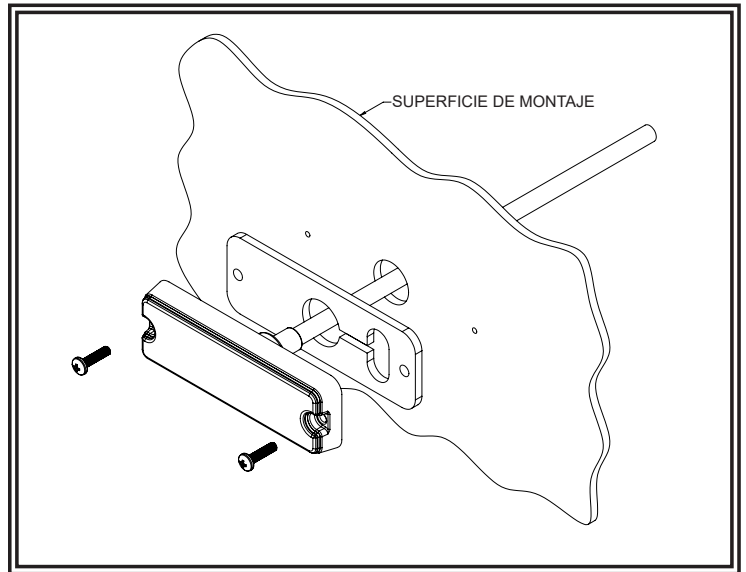


### ¡PRECAUCIÓN!

Al perforar cualquier superficie del vehículo, asegúrese de que no haya cables eléctricos, mangueras de combustible, tapicería, etc. en el área que pudiesen dañarse.



**Figura 1**

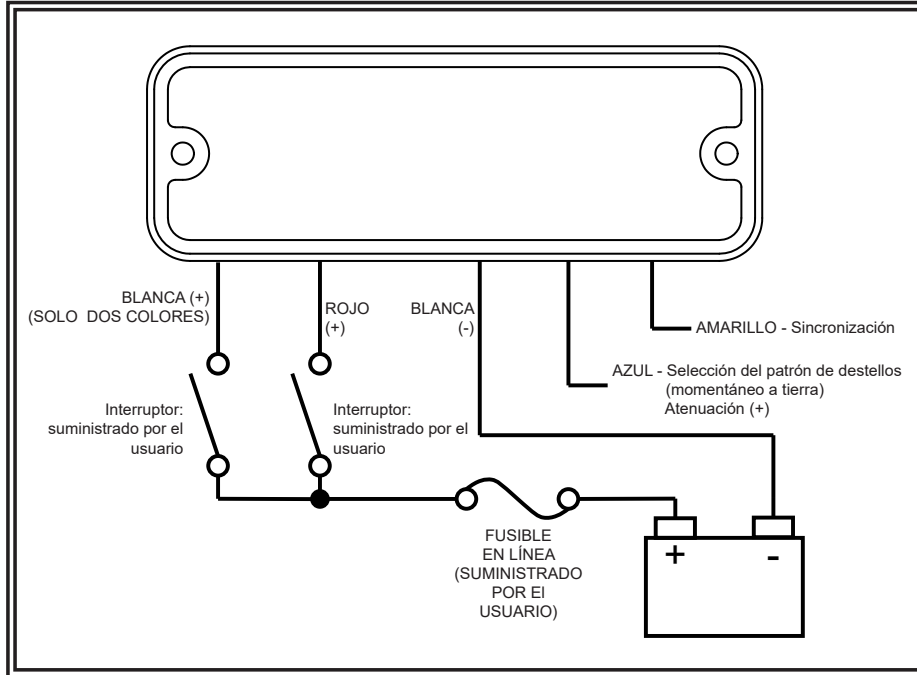


**Figura 2**



## Instrucciones de cableado

Todo el cableado debe ser trenzado y de un mínimo de 20 AWG. La línea positiva debe tener un fusible de acción retardada de 3 A en línea para cada dirección, como se muestra en la IMAGEN 3. Aísle los cables amarillo y azul cuando no los utilice.



**Figura 3**

## Patrones de destello

Para seleccionar un patrón de destello, aplique energía al cable ROJO (modelos de un solo color), al BLANCO o a ambos cables (en modelos de dos colores). Aplique energía a los cables azul y negro para cambiar el patrón de destello:

Tiempos de presión	Función
0-1 s	siguiente patrón
1-3 s	patrón anterior
3-5 s	patrón predeterminado de fábrica
más de 5	último patrón

### Función de atenuación:

Conecte el cable azul al cable de alimentación rojo.

### Sincronización:

La serie ED3511 se puede sincronizar con otros productos ECCO compatibles a través de los siguientes pasos:

**Paso 1.** Ajuste el patrón de destello deseado en cada unidad de manera individual. También se recomienda encarecidamente que se utilice el mismo estilo de patrón de destello en todas las unidades para producir el patrón de advertencia más eficaz. NOTA: Las fases A y B para cada estilo de patrón de destello en la tabla indican la relativa entre las unidades conectadas en una instalación sincronizada. Para operar simultáneamente, cada unidad debe configurarse en la misma fase (A + A o B + B); para funcionar de manera alternada, se deben configurar unidades en fases opuestas (A + B o B + A).

**Paso 2.** Conecte los cables amarillos de sincronización entre sí y revise que las unidades estén destellando de manera sincronizada según lo previsto. Si el patrón de una unidad parece incorrecto, el cable azul de selección del patrón se puede utilizar para cambiar el patrón hacia delante o hacia atrás en esa unidad en particular hasta que el patrón correcto se seleccione. NOTA: Esto solo cambiará el patrón en una unidad y no afectará a las otras unidades conectadas al cable amarillo de sincronización.

**NOTA: La serie ED3511 no se sincroniza con los modelos 3510.**

## Garantía

Limitación de responsabilidad y garantía limitada del fabricante:

El fabricante garantiza que al momento de la compra, este producto cumple con las especificaciones del fabricante para el mismo (disponibles a pedido). El fabricante garantiza además que el presente producto está libre de defectos en sus materiales y en su fabricación. Esta garantía limitada se extiende durante sesenta (60) meses a partir de la fecha de la compra. Pueden aplicarse otras garantías. Para más información, comuníquese con el fabricante. El fabricante, a criterio propio, reparará o cambiará todo producto que determine como defectuoso y que esté sujeto a la presente garantía limitada.

EL DAÑO A LAS PIEZAS O PRODUCTOS QUE RESULTE DE LA MANIPULACIÓN INDEBIDA, ACCIDENTES, ABUSO, USO INDEBIDO, NEGLIGENCIA, MODIFICACIONES NO APROBADAS, INCENDIOS U OTROS PELIGROS, LA INSTALACIÓN O EL USO INCORRECTOS O LA FALTA DE MANTENIMIENTO CONFORME A LOS PROCEDIMIENTOS DE MANTENIMIENTO QUE SE ESTABLECEN EN LAS INSTRUCCIONES DE INSTALACIÓN Y USO DEL FABRICANTE, ANULA LA PRESENTE GARANTÍA LIMITADA.

LAS REPRESENTACIONES O DESCRIPCIONES ORALES DEL PRODUCTO QUE PUEDAN HABER SIDO REALIZADAS POR VENEDORES, DISTRIBUIDORES, AGENTES U OTROS REPRESENTANTES DEL FABRICANTE NO CONSTITUYEN GARANTÍAS. ESTA GARANTÍA LIMITADA NO PODRÁ ENMENDARSE, MODIFICARSE NI AMPLIARSE EXCEPTO MEDIANTE UN ACUERDO ESCRITO FIRMADO POR UN REPRESENTANTE AUTORIZADO DEL FABRICANTE QUE HAGA REFERENCIA EN FORMA EXPRESA A ELLA.

Exclusión de otras garantías:

EL FABRICANTE NO OTORGA NINGUNA OTRA GARANTÍA, EXPRESA O IMPLÍCITA. MEDIANTE LA PRESENTE, SE EXCLUYEN LAS GARANTÍAS IMPLÍCITAS DE COMERCIABILIDAD O APTITUD PARA UN PROPÓSITO EN PARTICULAR, QUE NO SE APLICARÁN AL PRODUCTO. EL ÚNICO Y EXCLUSIVO REMEDIO DEL COMPRADOR CON RESPECTO AL CONTRATO, DERECHOS POR DAÑOS O CUALQUIER OTRA TEORÍA CONTRA EL FABRICANTE RELACIONADA CON EL PRODUCTO Y SU USO SERÁ LA REPARACIÓN O EL REEMPLAZO DEL PRODUCTO SEGÚN SE DESCRIBE ANTERIORMENTE.

Limitación de responsabilidad:

EN EL CASO DE RESPONSABILIDAD POR DAÑOS QUE SURJAN DE LA PRESENTE GARANTÍA LIMITADA O POR CUALQUIER OTRO RECLAMO RELACIONADO CON LOS PRODUCTOS DEL FABRICANTE, CON LA RESPONSABILIDAD DEL FABRICANTE FRENTE A LOS DAÑOS, QUEDARÁ LIMITADA AL IMPORTE PAGADO POR EL PRODUCTO EN EL MOMENTO DE LA COMPRA ORIGINAL. EL FABRICANTE NO SERÁ RESPONSABLE, BAJO NINGÚN MOTIVO, POR EL LUCRO CESANTE, EL COSTO DE LA MANO DE OBRA NI DEL EQUIPO DE SUSTITUCIÓN, DAÑOS A LA PROPIEDAD NI POR OTROS DAÑOS ESPECIALES, RESULTANTES O INDIRECTOS EN FUNCIÓN DE RECLAMOS POR INCUMPLIMIENTO CONTRACTUAL, INSTALACIÓN INAPROPIADA, NEGLIGENCIA U OTROS, INCLUSO SI EL FABRICANTE O UNO DE SUS REPRESENTANTES HUBIESE ANTICIPADO LA POSIBILIDAD DE DICHOS DAÑOS. EL FABRICANTE NO TENDRÁ NINGUNA OTRA OBLIGACIÓN O RESPONSABILIDAD RESPECTO DEL PRODUCTO O SU VENTA, OPERACIÓN Y USO NI SUPONE O AUTORIZA QUE SE SUPONGA TODA OTRA OBLIGACIÓN O RESPONSABILIDAD RELACIONADAS CON DICHO PRODUCTO.

Esta garantía limitada define los derechos legales específicos. Es posible que tenga otros derechos legales que varían de estado a estado. Algunos estados no permiten la exclusión o limitación de daños resultantes o indirectos.



833 West Diamond St, Boise, Idaho 83705  
**Servicio Al Cliente** EE.UU. 800-635-5900  
Reino Unido +44 (0)113 237 5340 | AUS +61 (0)3 63322444  
**ECCOESG.com**



# Instructions d'installation et d'utilisation TÊTE D'ÉCLAIRAGE À DEL PROFILÉE ED3511

**IMPORTANT!** Lisez toutes les instructions avant d'installer et d'utiliser le produit. Installateur : ce manuel doit être remis à l'utilisateur final.



## AVERTISSEMENT!

Le non-respect des recommandations du fabricant lors de l'installation ou de l'utilisation de ce produit peut entraîner des dommages matériels et vous causer à vous-même ainsi qu'à ceux que vous souhaitez protéger des blessures corporelles graves voire mortelles!



**N'installez pas et/ou n'utilisez pas ce produit de sécurité avant d'avoir lu et compris les consignes de sécurité fournies.**

1. Pour garantir votre sécurité et celle des autres, il est essentiel que le produit soit correctement installé et que l'opérateur soit formé à l'utilisation, l'entretien et la maintenance des dispositifs d'avertissement d'urgence.
2. Manipulez les connexions électriques sous tension avec prudence.
3. Ce produit doit être correctement mis à la masse. Une mise à la masse inadéquate ou un court-circuit des connexions électriques peut provoquer l'apparition d'un arc électrique haute tension, susceptible de causer des blessures corporelles ou des dommages graves sur le véhicule, ainsi qu'un incendie.
4. Une installation et un positionnement corrects sont essentiels au bon fonctionnement de ce dispositif d'avertissement. Installez ce produit de manière à optimiser les performances de sortie du système et de sorte que les commandes soient à portée de main de l'opérateur, afin qu'il puisse utiliser le système sans perdre le contact visuel avec la chaussée.
5. N'installez pas ce produit dans la zone de déploiement d'un airbag ; n'acheminez pas non plus de câbles dans cette zone. Tout équipement monté ou situé dans la zone de déploiement d'un airbag est susceptible de réduire l'efficacité de cet airbag ou de devenir un projectile pouvant causer des blessures graves, voire mortelles. Reportez-vous au manuel d'utilisation du véhicule pour en savoir davantage sur la zone de déploiement de l'airbag. Il incombe à l'utilisateur/à l'opérateur de définir un emplacement de montage approprié assurant la sécurité de tous les passagers à l'intérieur du véhicule, en évitant en particulier les zones d'impact potentiel de la tête.
6. Il incombe à l'opérateur du véhicule de s'assurer que toutes les fonctionnalités de ce produit fonctionnent correctement au cours de l'utilisation. Lorsque le produit est en cours d'utilisation, l'opérateur du véhicule doit s'assurer que le signal d'avertissement n'est pas inhibé par des composants du véhicule (comme un coffre ou des portes de compartiment ouverts), des personnes, des véhicules ou d'autres éléments.
7. L'utilisation de ce dispositif d'avertissement ou de tout autre dispositif similaire ne garantit pas que tous les conducteurs observeront un signal d'avertissement ou réagiront à ce signal. Ne prenez jamais la priorité pour acquise. Il est de votre responsabilité de vous assurer que vous pouvez vous déplacer en toute sécurité avant de vous engager dans une intersection, de conduire en sens inverse de la circulation, de réagir à une vitesse élevée et de marcher sur ou autour des voies de circulation.
8. Cet équipement est destiné uniquement au personnel autorisé. Il incombe à l'utilisateur de comprendre et de respecter toutes les lois relatives aux dispositifs de signalisation d'avertissement. Par conséquent, l'utilisateur doit s'informer sur toutes les lois et réglementations en vigueur dans la ville, la région et le pays où il se trouve. Le fabricant décline toute responsabilité en cas de perte découlant de l'utilisation de ce dispositif d'avertissement.

## Spécifications:

Taille: 83,82 mm x 27,43mm x 10,16mm

Tension d'entrée: 12-24 VDC

Plage de températures: -40°C to 65°C/-40°F to 149°F

	MONOCHROME		BICOLORE	
Poids:	0,05 kg		0,005 kg	
Appel de courant maximal:	Ámbre	0,44 A	Ámbre	0,92 A
	Bleu	1,13 A	Bleu	1,37 A
	Rouge	1,11 A	Rouge	1,41 A
	Blanc	1,12 A	Blanc	1,26 A
	Vert	0,57 A		
Puissance maximale:	Ámbre	11,37 W	Ámbre	23,50 W
	Bleu	28,98 W	Bleu	35,02 W
	Rouge	28,47 W	Rouge	36,15 W
	Blanc	28,62 W	Blanc	32,15 W
	Vert	14,54 W		

## Instalación y montaje

Avant l'installation, examinez les têtes à DEL à la recherche de dommages causés par le transport. Ne pas utiliser de pièces endommagées ou cassées.

**Importante!** Cette unité est un dispositif de sécurité et elle doit être connectée à son propre point d'alimentation indépendant protégé par fusible pour garantir son fonctionnement continu en cas de défaillance d'un autre accessoire électrique.

**Étape 1.** Marquez trois points à 1,5 po de distance sur la surface de montage. Voir la Figure 1.

**Étape 2.** Percez deux trous correspondant aux deux marquages extérieurs à l'aide d'une mèche de 5/64 po.

**Étape 3.** Percez un trou correspondant au marquage central à l'aide d'une mèche de 5/8 po.

**Étape 4.** Faites passer les fils dans le trou central.

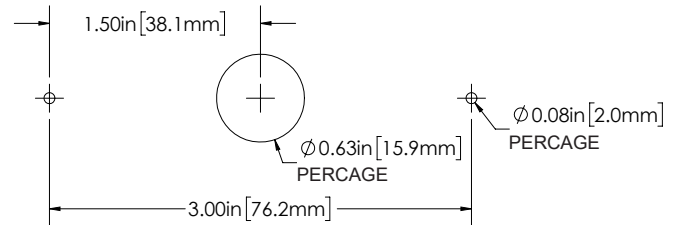
**Étape 5.** Utilisez les vis fournies pour fixer l'éclairage sur la surface par les trous extérieurs.

**REMARQUE : N'AGRANDISSEZ PAS LES TROUS DE L'ÉCLAIRAGE ET N'UTILISEZ PAS DE MATÉRIEL DE FIXATION D'UN DIAMÈTRE SUPÉRIEUR À CELUI DU MATÉRIEL DE FIXATION FOURNI! CELA ENDOMMAGERAIT LES JOINTS!**

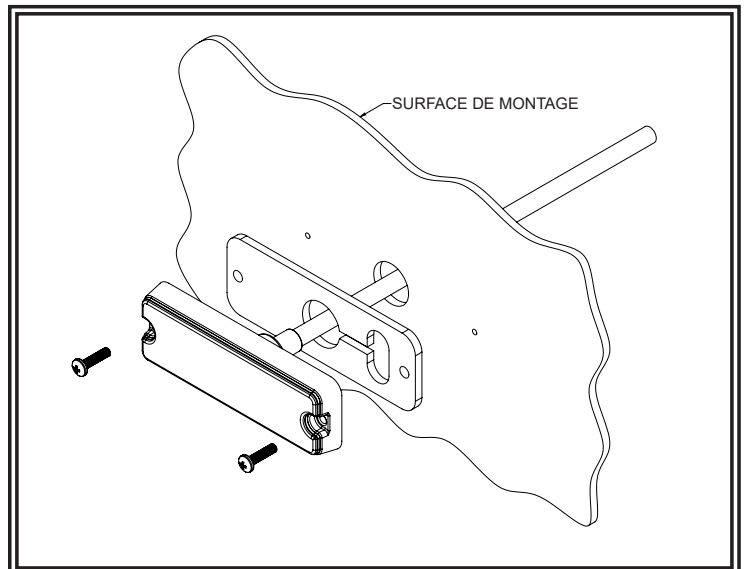


### ATTENTION!

Lorsque vous percez un trou dans une surface de véhicule, assurez-vous que cette zone est exempte de fils électriques, de canalisations d'essence, de garniture souple, etc. qui pourraient être endommagés.



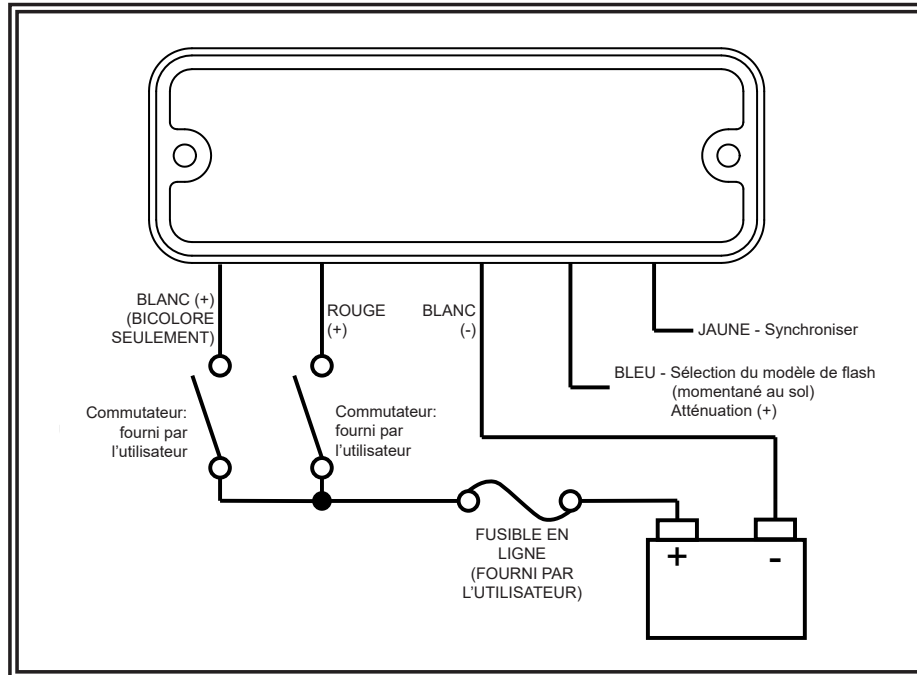
**Figure 1**



**Figure 2**

## Instrucciones de cableado

Tout le câblage doit être toronné et d'un calibre minimal de 20 AWG. La ligne positive doit être dotée d'un fusible en ligne à action retardée de 3 A pour chaque DEL directionnelle, comme illustré à la FIGURE 3. Isolez les fils jaune et bleu lorsqu'ils ne sont pas utilisés.



**Figure 3**

## Effets clignotants

Pour sélectionner un effet clignotant, mettez sous tension les fils ROUGE (modèles monochromes) ou BLANC ou alors, les fils ROUGE et BLANC (modèles bicolores). Joignez les fils bleu et noir pour modifier l'effet clignotant :

Plusieurs pressions	Fonction
0 à 1 seconde	Prochain effet
1 à 3 secondes	schéma précédent
3 à 5 secondes	schéma d'usine par défaut
plus de 5 secondes	dernier schéma

### Fonction de gradation:

Connectez le fil bleu au fil d'alimentation rouge.

### Synchronisation:

La série ED3511 est capable de se synchroniser avec d'autres produits ECCO compatibles en procédant comme suit:

**Étape 1.** Réglez l'effet clignotant souhaité sur chaque unité individuellement. Il est aussi fortement recommandé d'utiliser le même style d'effet clignotant sur toutes les unités pour produire l'avertissement le plus efficace. REMARQUE : les phases A et B pour chaque style d'effet de clignotement dans le tableau indiquent la synchronisation relative entre les unités branchées dans une installation synchronisée. Pour fonctionner simultanément, chaque unité doit être réglée sur la même phase (A + A ou B + B); pour fonctionner en alternance, les unités doivent être réglées sur des phases opposées (A + B ou B + A).

**Étape 2.** Brancher les fils de synchronisation jaunes ensemble et vérifier que les unités clignotent de manière synchronisée comme prévu. Si l'effet d'une unité semble incorrect, le fil bleu de sélection de l'effet peut être utilisé pour faire défiler les effets précédents ou subséquents sur cette unité jusqu'à ce que l'effet correct soit sélectionné. REMARQUE : cette mesure modifie uniquement l'effet d'une unité et ne touche pas aux autres unités branchées au fil de synchronisation jaune.

## Garantie

Garantie limitée et limitation de responsabilité du fabricant :

Le fabricant garantit qu'à la date d'achat ce produit sera conforme aux caractéristiques techniques définies par ses soins (disponibles sur demande) et qu'il est exempt de vices de fabrication et de main-d'œuvre. La présente garantie limitée est valable soixante (60) mois à compter de la date d'achat. D'autres garanties peuvent s'appliquer. Pour plus d'informations, contactez le fabricant. Le fabricant réparera ou remplacera, à son entière discrétion, tout produit qu'il jugera défectueux, sous réserve de la présente garantie limitée.

LA PRÉSENTE GARANTIE LIMITÉE EST NULLE ET NON AVENUE EN CAS D'ENDOMMAGEMENT DE PIÈCES OU DE PRODUITS RÉSULTANT D'UNE ALTÉRATION, D'UN ACCIDENT, D'UN ABUS, D'UNE MAUVAISE UTILISATION, D'UNE NÉGLIGENCE, DE MODIFICATIONS NON AUTORISÉES, D'UN INCENDIE OU D'UN AUTRE DANGER; D'UNE MAUVAISE INSTALLATION OU D'UN FONCTIONNEMENT INCORRECT; OU ENCORE D'UN ENTRETIEN NON CONFORME AUX PROCÉDURES D'ENTRETIEN DÉFINIES DANS LES INSTRUCTIONS D'INSTALLATION ET D'UTILISATION DU FABRICANT.

LES DÉCLARATIONS OU OBSERVATIONS ORALES AU SUJET DU PRODUIT QUI POURRAIENT AVOIR ÉTÉ FAITES PAR DES VENDEURS, DES REVENDEURS, DES AGENTS OU D'AUTRES REPRÉSENTANTS DU FABRICANT NE CONSTITUENT PAS DES GARANTIES. LA PRÉSENTE GARANTIE LIMITÉE NE PEUT ÊTRE MODIFIÉE ET SON CHAMP D'APPLICATION NE PEUT ÊTRE ÉLARGI EXCEPTÉ EN VERTU D'UN ACCORD ÉCRIT SIGNÉ PAR UN REPRÉSENTANT AUTORISÉ DU FABRICANT QUI FAIT EXPRESSÉMENT RÉFÉRENCE À LA PRÉSENTE GARANTIE.

Exclusion d'autres garanties :

LE FABRICANT N'ACCORDE AUCUNE AUTRE GARANTIE, EXPRESSE OU TACITE. LES GARANTIES IMPLICITES DE QUALITÉ MARCHANDE OU D'APTITUDE À UN USAGE PARTICULIER SONT EXCLUES ET NE S'APPLIQUERONT PAS AU PRODUIT. LE SEUL ET UNIQUE RECOURS DE L'ACHETEUR CONTRE LE FABRICANT CONCERNANT LE PRODUIT ET SON UTILISATION, QUEL QUE SOIT LE FONDEMENT DE RESPONSABILITÉ INVOQUÉ (RESPONSABILITÉ CONTRACTUELLE, DÉLICTUELLE OU AUTRE), SERA LE REMPLACEMENT OU LA RÉPARATION DU PRODUIT COMME INDIQUÉ CI-DESSUS.

Limitation de responsabilité :

EN CAS DE RESPONSABILITÉ POUR DES DOMMAGES DÉCOULANT DE LA PRÉSENTE GARANTIE LIMITÉE OU TOUTE AUTRE RÉCLAMATION RELATIVE AUX PRODUITS DU FABRICANT, LA RESPONSABILITÉ DU FABRICANT SE LIMITERA AU MONTANT PAYÉ POUR LE PRODUIT LORS DE L'ACHAT INITIAL. LE FABRICANT NE SERA EN AUCUN CAS RESPONSABLE DU MANQUE À GAGNER, DU COÛT DE L'ÉQUIPEMENT DE SUBSTITUTION OU DE LA MAIN-D'ŒUVRE, DES DOMMAGES MATÉRIELS OU D'AUTRES DOMMAGES PARTICULIERS, INDIRECTS OU ACCESSOIRES FONDÉS SUR UNE RÉCLAMATION POUR RUPTURE DE CONTRAT, MAUVAISE INSTALLATION, NÉGLIGENCE OU TOUTE AUTRE RÉCLAMATION, MÊME SI LE FABRICANT OU L'UN DE SES REPRÉSENTANTS A ÉTÉ INFORMÉ DE L'ÉVENTUALITÉ DE TELS DOMMAGES. LE FABRICANT NE S'ACQUITTE D'AUCUNE AUTRE OBLIGATION OU RESPONSABILITÉ QUANT AU PRODUIT OU SA VENTE, SON FONCTIONNEMENT ET SON UTILISATION, ET N'ADMET NI N'AUTORISE L'HYPOTHÈSE DE TOUTE AUTRE OBLIGATION OU RESPONSABILITÉ EN RELATION AVEC CE PRODUIT.

La présente garantie limitée vous accorde des droits juridiques spécifiques. Vous pouvez également jouir d'autres droits, lesquels peuvent varier d'un état à l'autre. Certains États n'autorisent pas l'exclusion ou la limitation de dommages indirects ou accessoires.



833 West Diamond St, Boise, Idaho 83705  
**Le Service Client** États-Unis 800-635-5900  
Royaume-Uni +44 (0)113 237 5340 | AUS +61 (0)3 63322444  
**ECCOESG.com**