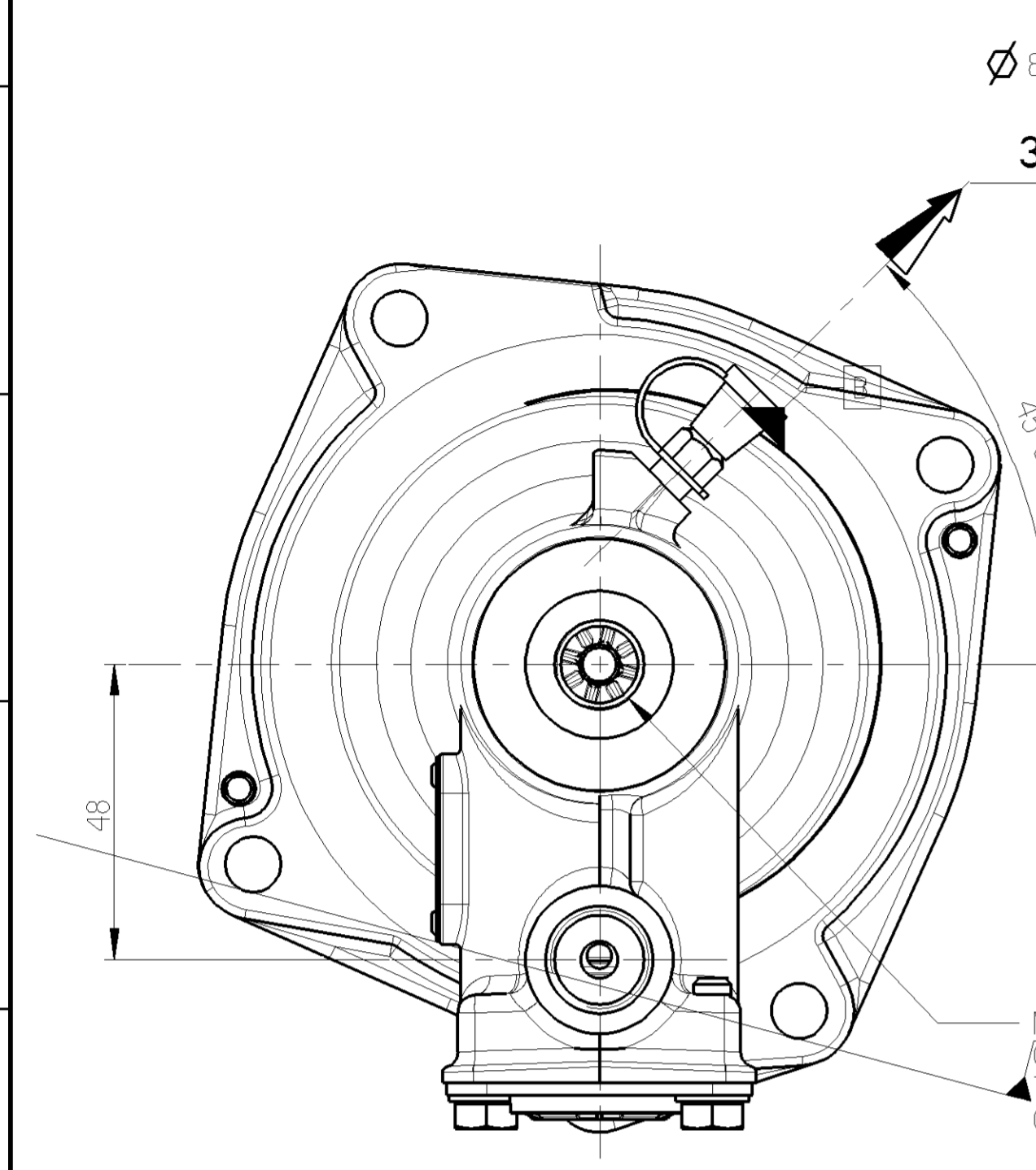
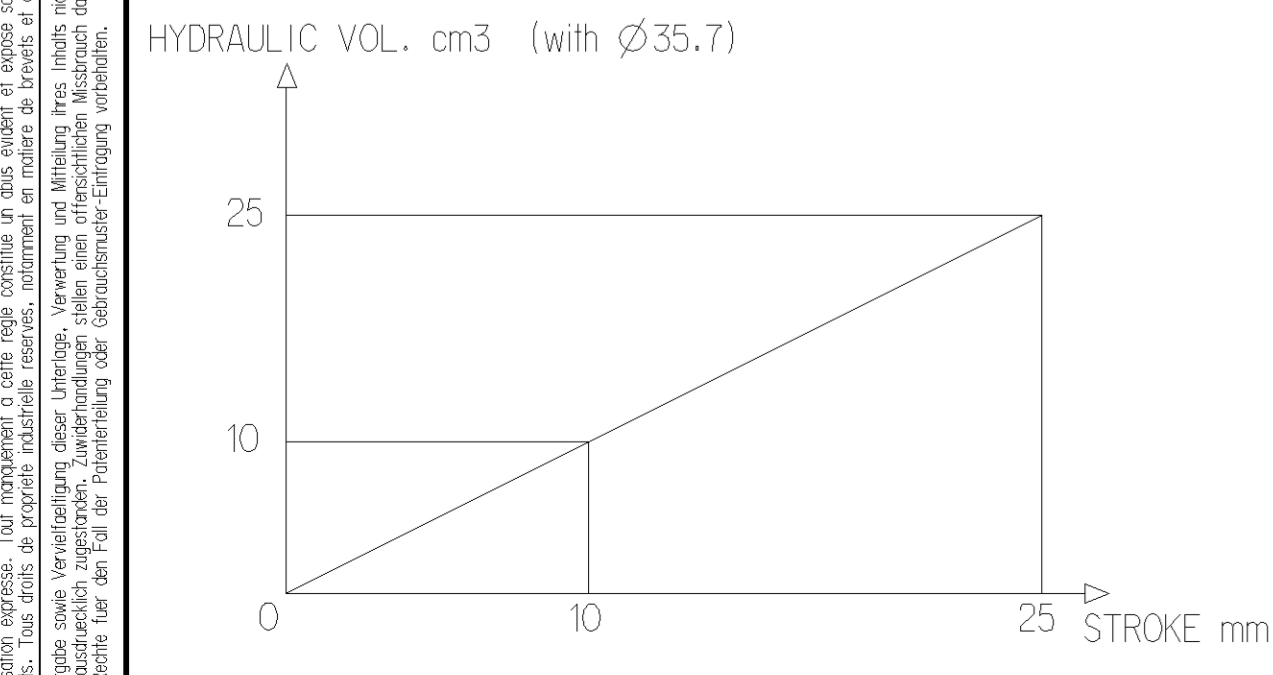
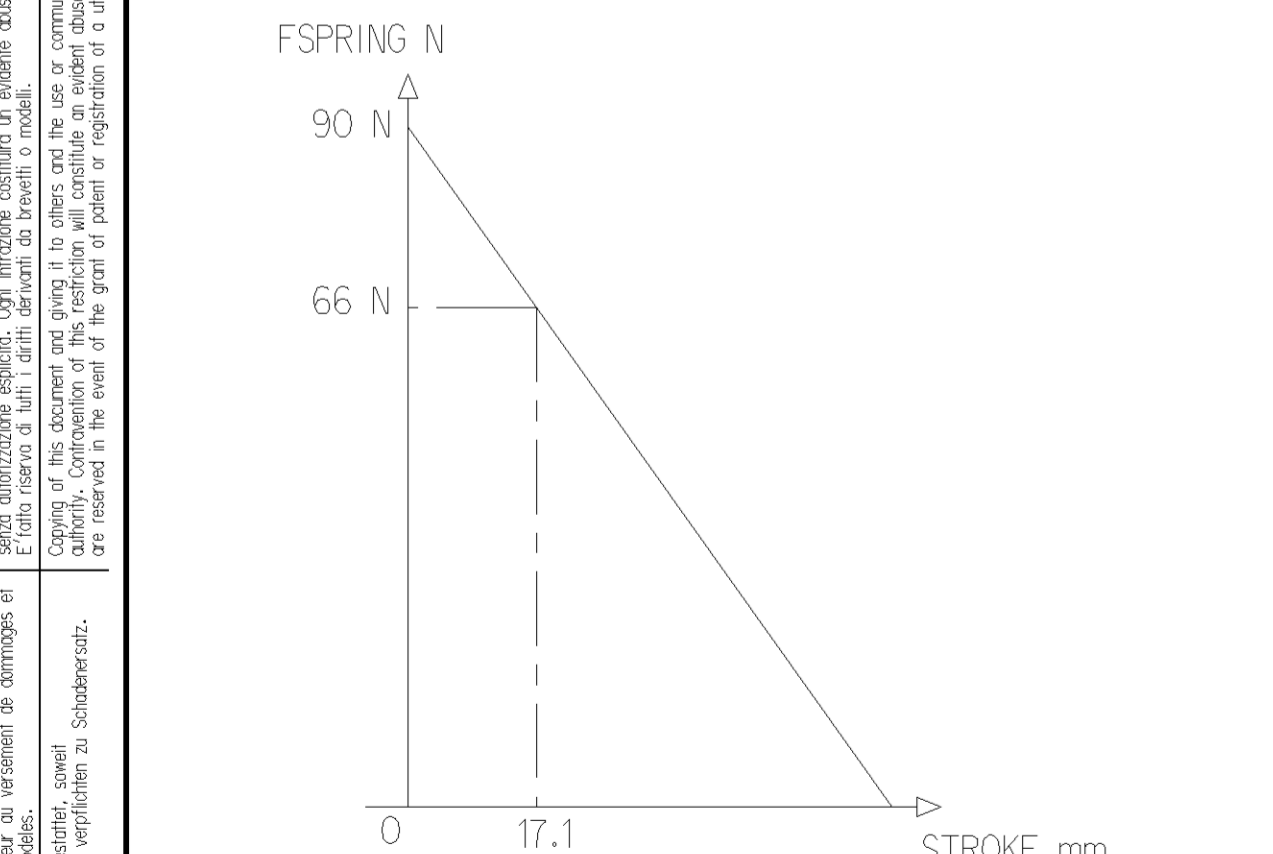
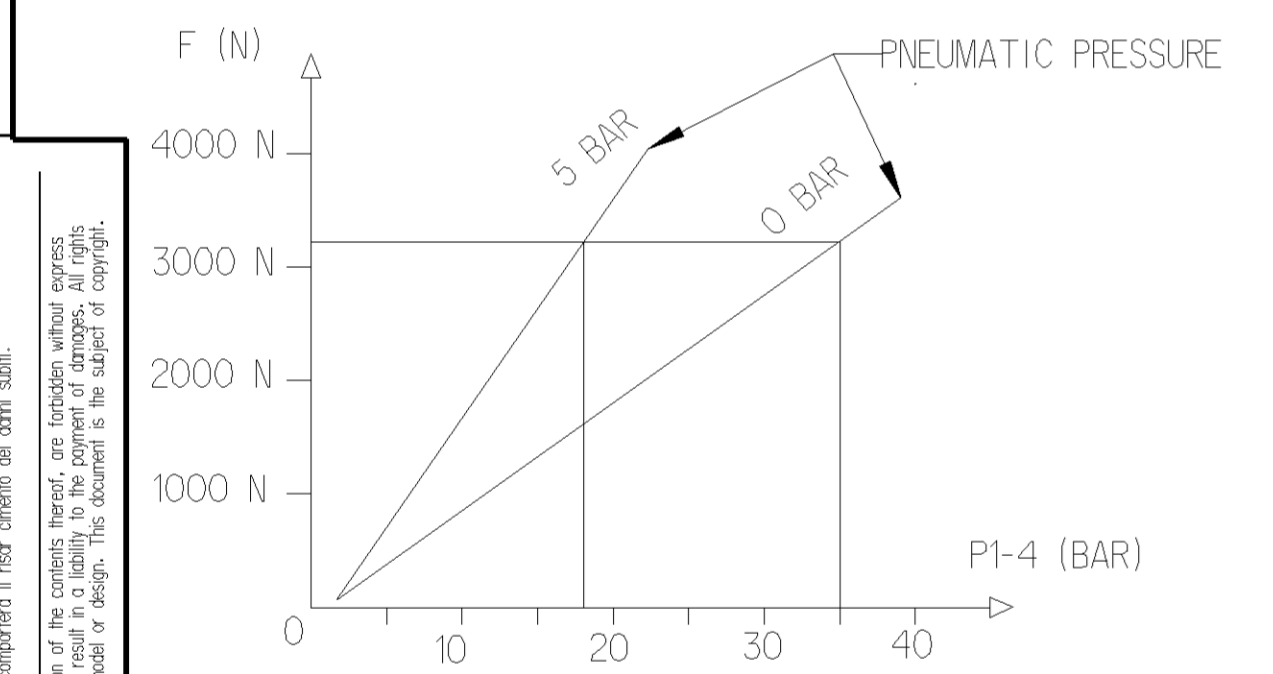
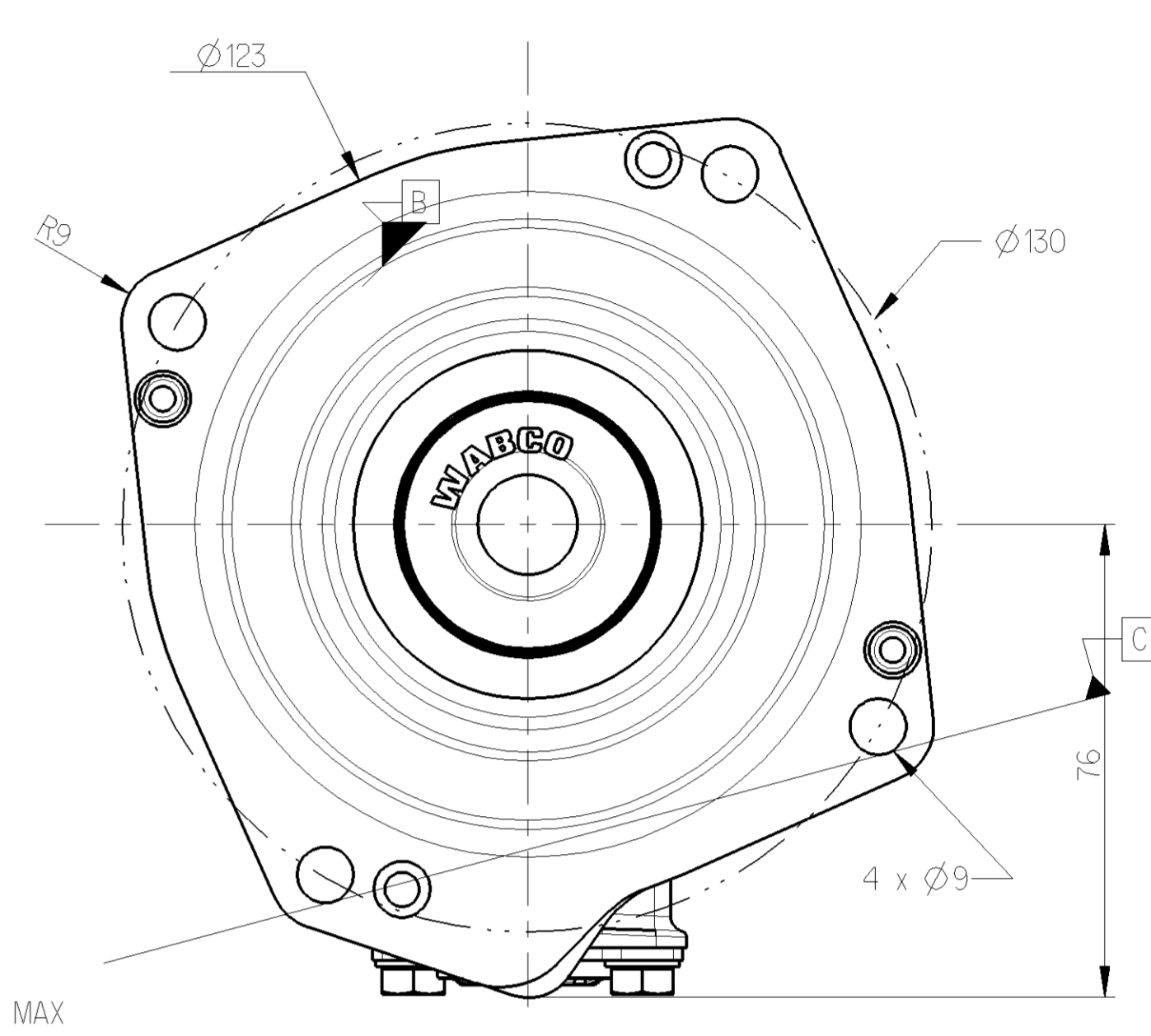
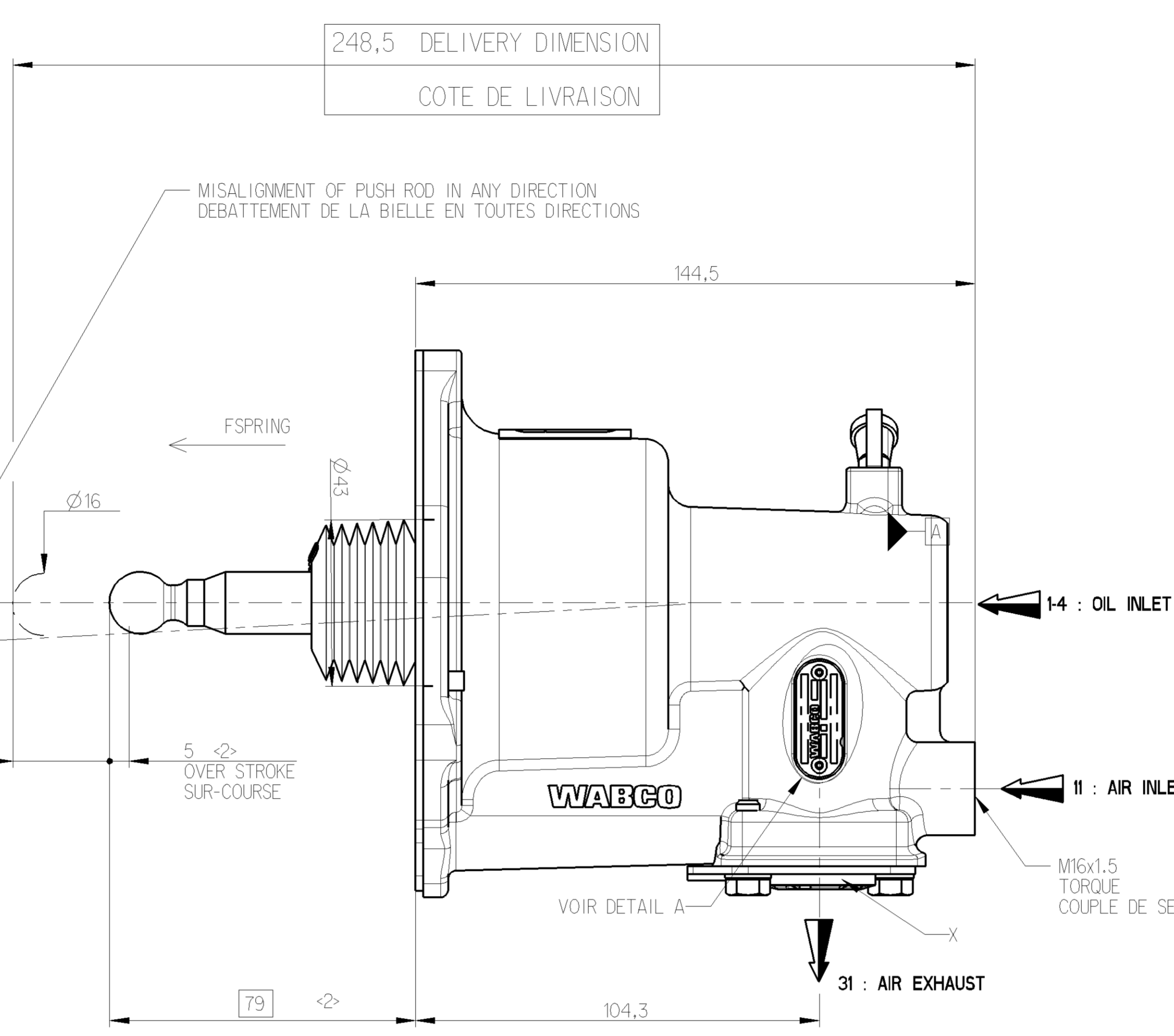


MARKING OF PORTS / KENNZEICHNUNG DER ANSCHLUESSE MARQUAGE DES ORIFICES / MARCATURA DEGLI ORIFIZI			
1-4	OIL INLET OELZUFUSS ALIMENTATION HUILE ALIMENTATION OLIO	32	BLEED SCREW ENTLUEFTUNGSSCHRAUBE VIS DE PURGE VITE DI SPURGO
11	AIR INLET LUFTZUFUSS ALIMENTATION AIR ALIMENTATION ARIA	31	AIR EXHAUST LUFTENTLUEFTUNG ECHAPPEMENT AIR SCARICO DI ARIA

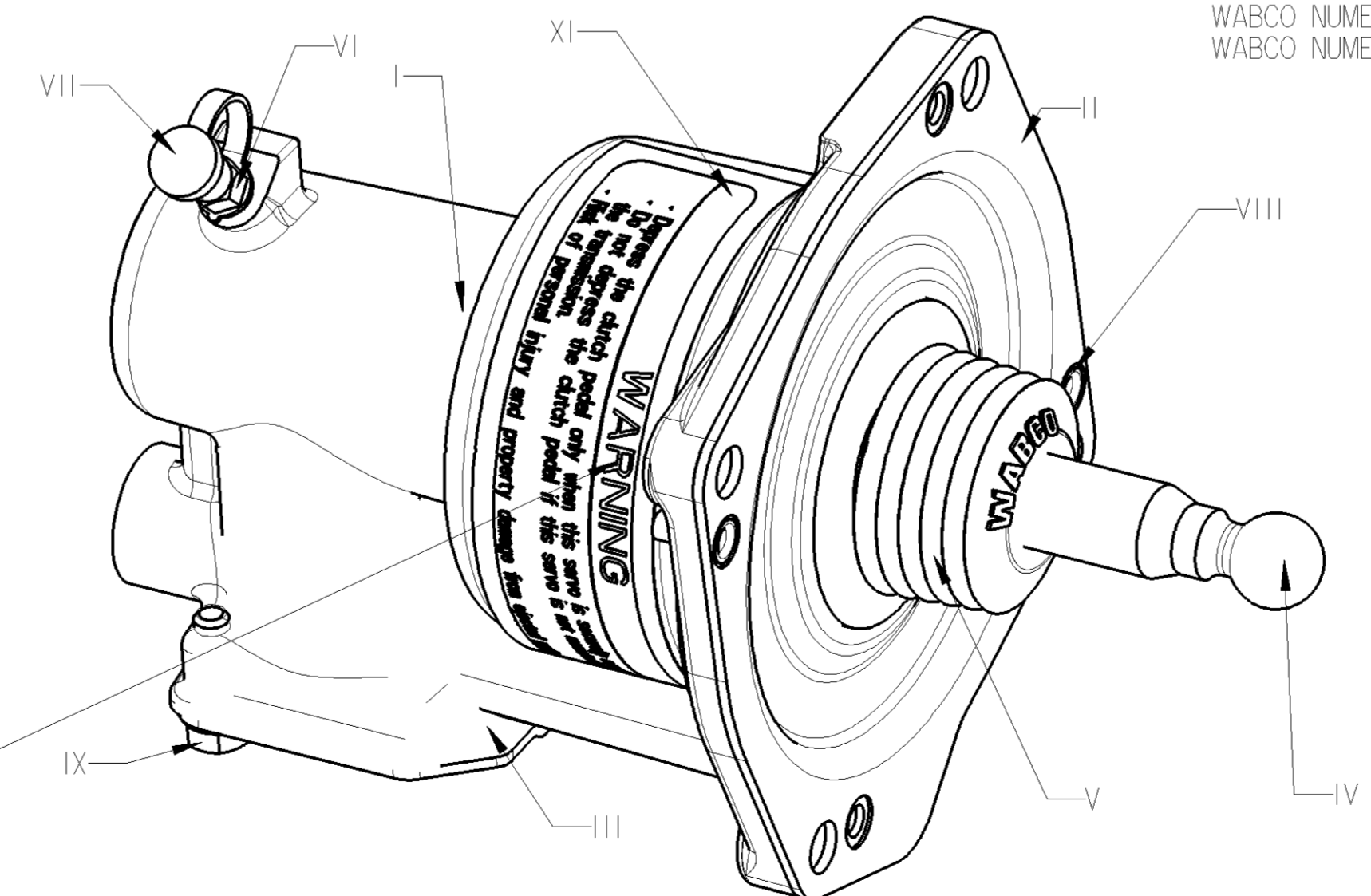


$\varnothing 8$ h13 TORQUE ANZUGSMOMENT
 COUPLE DE SERRAGE 5 N \cdot m
 COPPIA DI SERRAGGIO
 WORKING POSITION EINBAULAGE
 POSITION DE FONCTIONNEMENT
 POSIZIONE DI FUNZIONAMENTO
 M14x1.5 / ONLDEPTH 12
 TORQUE COUPLE DE SERRAGE 21Nm MAX



MATERIAL / SURFACE PROTECTION MATERIAL / OBERFLAECHENSCHUTZ MATIERE / PROTECTION DE SURFACE MATERIALE / PROTEZIONE SUPERFICIALE
I JED-620 / JED-007-3
II JED-021M2 / JED-256
III JED-021M1 / JED-256
IV JED-626-1 / JED-739-5 (A)
V JED-376-4
VI JED-020 M / JED-256
VII JED-670
VIII BRASS
IX JED-051M4 / JED-378
X JED-534-2
XI POLYESTER 2F 150
XII JED-077-1 / JED-007-1
XIII Al / BONDED COATING

VOLVO IDENTIFICATION NUMBER
 VOLVO IDENTIFIKATION NUMBER
 VOLVO NUMERO D'IDENTIFICATION
 VOLVO NUMERO D'IDENTIFICAZIONE 20857740
 DATA OF MANUFACTURE
 HERSTELLDATUM
 DATE DE FABRICATION JED 226
 DATA DI FABRICAZIONE
 DETAIL A ECHELLE 2:1
 WABCO IDENTIFICATION NUMBER
 WABCO IDENTIFIKATION NUMBER
 WABCO NUMERO D'IDENTIFICATION
 WABCO NUMERO D'IDENTIFICAZIONE



WARNING:
 - Depress the clutch pedal only when this servo is securely mounted.
 - Do not depress the clutch pedal if this servo is not mounted on the transmission.
 - Risk of personal injury and property damage from ejected parts.

CAUTION
 VORSICHT
 ATTENTION
 ATTENZIONE
 DO NOT ACTUATE THE DEVICE IF NOT FITTED ON ITS MOUNTING BRACKET NO STROKE LIMITER IN THE DEVICE.
 NE PAS ACTIONNER L'APPAREIL S'IL N'EST PAS FIXE SUR SON SUPPORT PAS DE LIMITATION DE COURSE DANS L'APPAREIL.
 4x \leftrightarrow SPECIAL CHARACTERISTICS
 CARACTERISTIQUES SPECIALES
 PRESSURE MAX : 100 BAR
 PRESSION MAXI : 100 BAR
 HYDRAULIC FLUID (1) : SAE J 1703
 FLUIDE HYDRAULIQUE (1) : SAE J 1703
 THERMAL RANGE : -30°C TO 100°C
 TEMPERATURE D'UTILISATION : -30°C A 100°C
 TORQUE FOR THE FIXING SCREW
 COUPLE DE SERRAGE DES VIS DE FIXATION
 4 SCREW M8 15 N.m < TORQUE < 21 N.m
 $\langle 2 \rangle$ FORCE ON THE PUSH ROD, ENGAGED POSITION F= 80N
 EFFORT SUR LA BIELLE EN POSITION ENGAGEE

Further Technical Data: 970 051 500 0				Copyright WABCO®		Date		Signature	
Doc. Code: 005				Sheet: To		Date: 2016-06-23		Signature: Klupa	
General Tolerances JED-261				Range of Nominal Dimensions (± mm)		Date: 2016-06-29		Signature: Praveen	
Class	11	≤ 50	> 50 < 180	≤ 180 < 400	> 400	Expert		Praveen	
Fine		0.5	1.0	1.5	2.0	Mass		Scale	
Medium		1.0	2.0	3.0	4.0	1.23		1:1	
Coarse		2.0	3.5	5.0	6.5	kg		CAD System	
Tapped Holes acc. ISO 4039 - JED-152				11 Tolerance Class Applied Crossmarked		Material No.		Date of first issue: 2005-11-14	
						970 051 510 0		005 ML 1/1	
						Revision		Techn. Resp.	
						168182		5630	
						Replacement for			

Non è permesso copiare o riprodurre questo documento, né utilizzare o copiarlo o riprodurlo in modo dannoso per terzi.
 Toute réimpression ou reproduction de ce document, toute exploitation ou communication de son contenu sans autorisation, sont formellement interdites.
 This document and its contents are the property of WABCO. All rights reserved. No part of this document may be reproduced or transmitted in any form or by any means, electronic or mechanical, including photocopying, recording, or by any information storage and retrieval system, without prior written permission from WABCO.