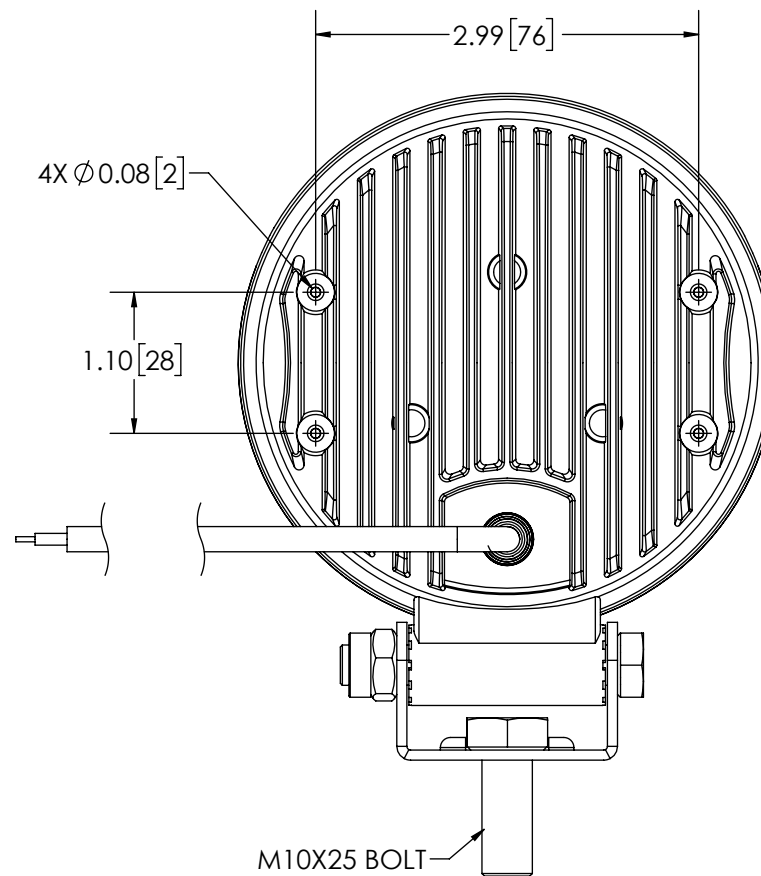
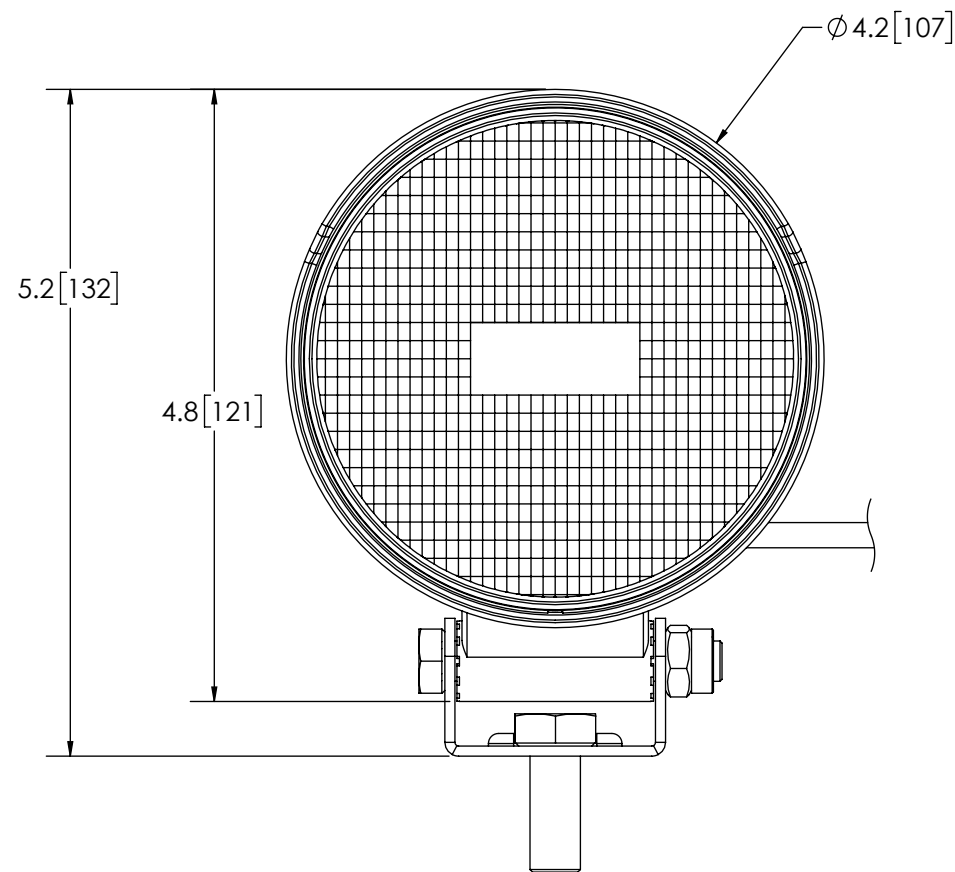
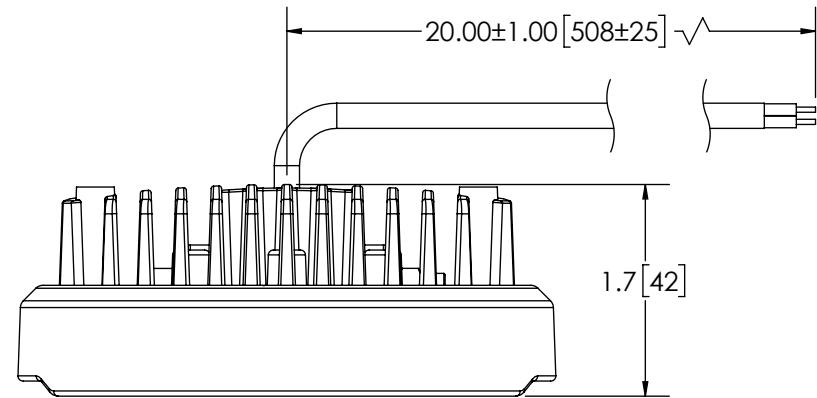


REVISION HISTORY		
REV.	DESCRIPTION	DATE
B	REVISE PER EC3410	2016-11-11
C	REVISED PER EC6099	2021-07-22
D	REVISED PER EC6615	2022-01-27



## SPECIFICATIONS

- CERTIFICATIONS: **CE**; ECE R10; ; RoHS  
Note: Unique components, accessories, and hardware kits are not typically included in the Product Certification Test Protocols. Unless otherwise Specified, the Product Certifications referred to herein are predicated upon the base product model configuration.
- RAW LUMENS: 700 lumens
- EFFECTIVE LUMENS: 675 lumens
- ILLUMINANCE (@100 FT): 2.22 lux
- PEAK BEAM INTENSITY: 2069 candela
- VOLTAGE (NOMINAL): 12 to 24 VDC
- VOLTAGE (EXTREME): 10 to 30 VDC
- CURRENT (PEAK): 0.6A (@ 12 VDC NOMINAL)
- POWER (MAXIMUM): 8.9W (@ 12 VDC NOMINAL)
- TEMPERATURE RANGE: -22°F (-30°C) TO 122°F (50°C)
- CONNECTION: 2 CONDUCTOR CABLE
- MOUNTING: SINGLE BOLT
- HOUSING MATERIAL: ALUMINUM
- LENS MATERIAL: POLYCARBONATE
- PRODUCT WEIGHT: 1.3 LBS (0.59 Kg)

### DISCLAIMER

DIMENSIONS, ILLUSTRATIONS, SPECIFICATIONS, AND CERTIFICATIONS CONTAINED IN THIS DOCUMENT ARE TYPICAL OF THE ACTUAL PRODUCT AND ARE SUBJECT TO CHANGE. ECCO ENGINEERING DOES NOT MAINTAIN FORMAL DESIGN CONTROL OF THIS PRODUCT.

- NOTES:  
 1. ROHS COMPLIANT  
 2. DIMENSIONS IN INCHES[MILLIMETERS (FOR REFERENCE)]

PROPRIETARY AND CONFIDENTIAL INFORMATION

THIS DRAWING AND THE DESIGN AND OTHER INFORMATION DISCLOSED HEREIN ARE THE PROPERTY OF ELECTRONIC CONTROLS COMPANY AND/OR ITS ECCO SAFETY GROUP AFFILIATES ("ECCO") AND IS ISSUED IN CONFIDENCE TO RECIPIENT FOR ENGINEERING INFORMATION PURPOSES ONLY. THIS DRAWING AND THE DESIGN AND OTHER INFORMATION DISCLOSED HEREIN MAY NOT BE USED, COPIED, REPRODUCED OR OTHERWISE DISCLOSED IN PART OR IN WHOLE TO THIRD PARTIES OR USED FOR ANY OTHER PURPOSE WITHOUT PRIOR ECCO WRITTEN CONSENT. ECCO RESERVES ALL PATENT, COPYRIGHT, TRADEMARK AND OTHER PROPRIETARY RIGHTS TO THIS DOCUMENT, INCLUDING ALL DESIGN, MANUFACTURING, REPRODUCTION, USE AND SALES RIGHTS THEREOF. THIS DRAWING IS SUBJECT TO RECALL BY ECCO AT ANY TIME, AND YOUR POSSESSION AND/OR USE CONSTITUTES ACCEPTANCE OF THESE TERMS. ©2013 ELECTRONIC CONTROLS COMPANY

SCALE 1:1.5		APPROVALS	DATE
CAD GENERATED DRAWING DO NOT MANUALLY UPDATE. MODEL REFERENCED: 01		DRAWN BY ABD	2022-01-14
TOLERANCES ARE IN INCHES, AND MILLIMETERS TOLERANCES UNLESS OTHERWISE STATED ARE:		CHECKED JW	2022-01-18
MILLIMETERS DECIMALS XX. ± 1.0mm XX.X ± 0.5mm	INCHES DECIMALS X.X ± 0.1 X.XX ± 0.04 X.XXX ± 0.02	MECH. ENG.	
	ANGLES ± 0.5°	ELEC. ENG.	
	FRACTIONS ± 1/64	TEST ENG.	
		SALES	
THIRD ANGLE PROJECTION		Electronically Controlled Use Latest Copy	

Americas (800) 635-5900   Europe +44 (0)113 237 5340   Asia Pacific +61 (0)3 63322444		<b>ECCO</b> www.eccolink.com	
<b>WORK LAMP, 6 LED, ROUND, FLOOD, 12-24V</b>			
CUSTOMER PART NO. <b>E92004</b>			
SIZE: B	DWG. NO. E92004	REV. D	
SHEET 1 OF 1		Project: EC3410	Date Created: 2013-07-25