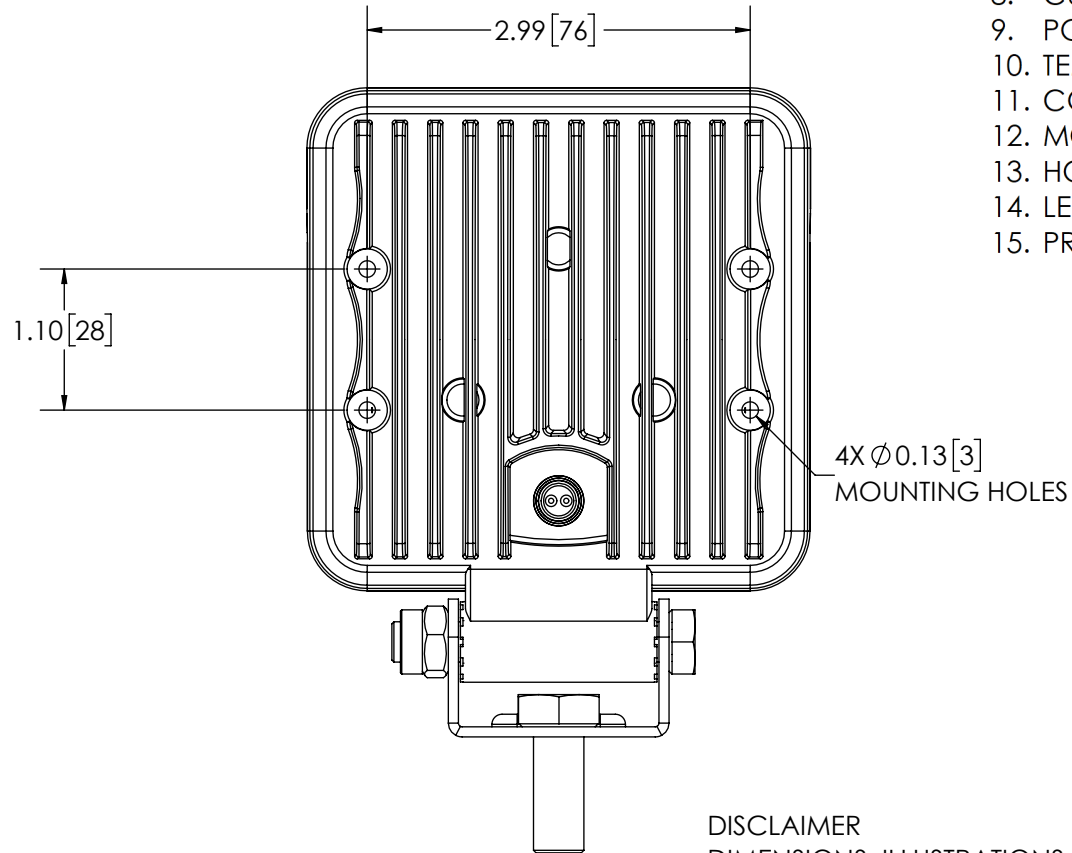
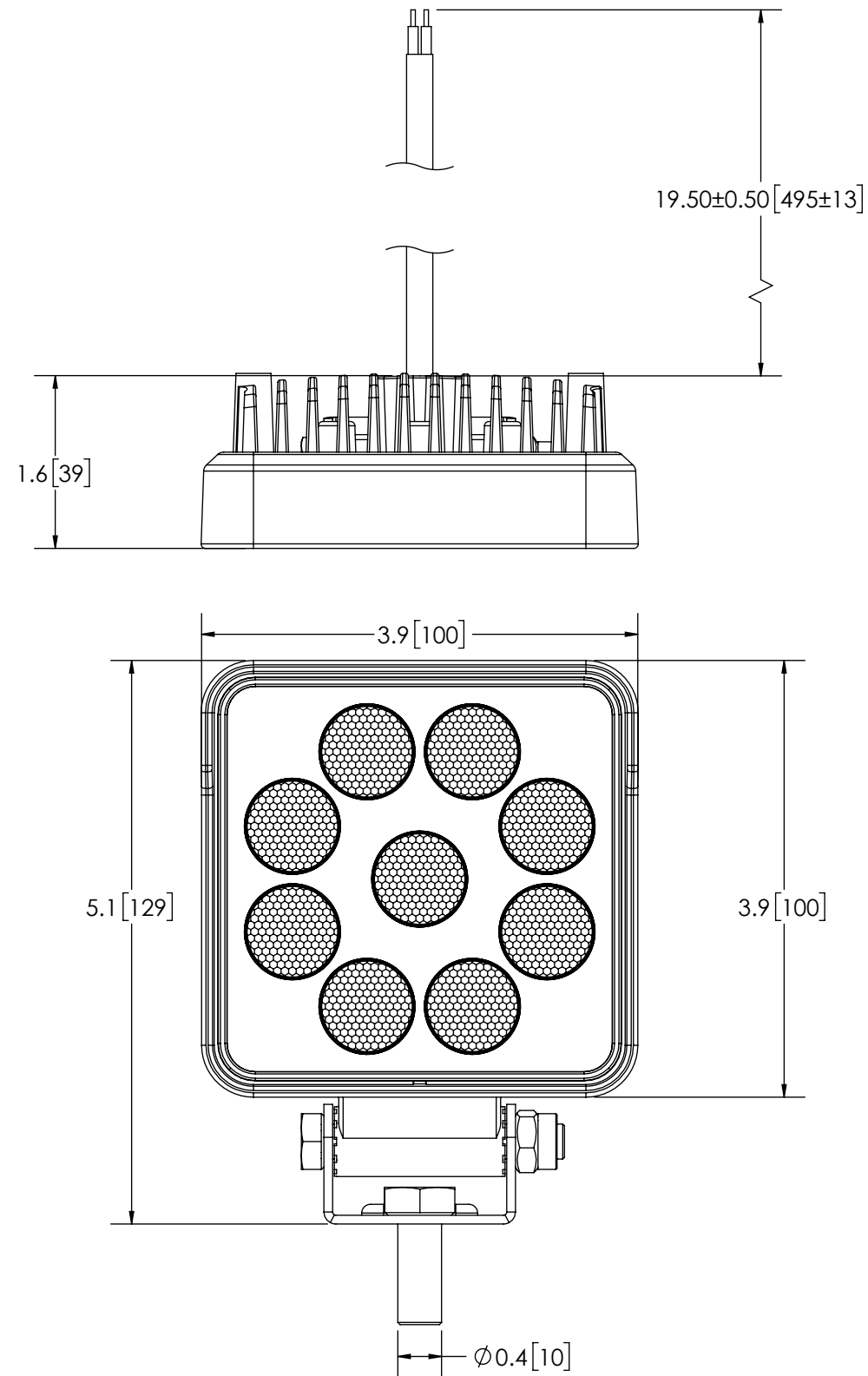


| REVISION HISTORY | | |
|------------------|--------------------|------------|
| REV. | DESCRIPTION | DATE |
| B | REVISE PER EC3410 | 2017-01-09 |
| C | REVISED PER EC6099 | 2020-08-05 |
| D | REVISED PER EC6728 | 2022-08-09 |



SPECIFICATIONS


- CERTIFICATIONS: **CE**; ECE R10; RoHS
Note: Unique components, accessories, and hardware kits are not typically included in the Product Certification Test Protocols. Unless otherwise Specified, the Product Certifications referred to herein are predicated upon the base product model configuration.
- RAW LUMENS: 1450 lumens
- EFFECTIVE LUMENS: 1350 lumens
- ILLUMINANCE (@100 FT): 5.35 lux
- PEAK BEAM INTENSITY: 4978 candela
- VOLTAGE (NOMINAL): 12 to 24 VDC
- VOLTAGE (EXTREME): 9.0 to 32.0 VDC
- CURRENT (PEAK): 1.3A (@ 12 VDC NOMINAL)
- POWER (MAXIMUM): 17.9W (@ 12 VDC NOMINAL)
- TEMPERATURE RANGE: -22°F (-30°C) TO 122°F (50°C)
- CONNECTION: 2 - 18 AWG CONDUCTOR CABLE
- MOUNTING: SINGLE BOLT
- HOUSING MATERIAL: ALUMINUM
- LENS MATERIAL: POLYCARBONATE
- PRODUCT WEIGHT: 1.1 LBS (0.5 Kg)

DISCLAIMER

DIMENSIONS, ILLUSTRATIONS, SPECIFICATIONS AND CERTIFICATIONS CONTAINED IN THIS DOCUMENT ARE TYPICAL OF THE ACTUAL PRODUCT AND ARE SUBJECT TO CHANGE. ECCO ENGINEERING DOES NOT MAINTAIN FORMAL DESIGN CONTROL OF THIS PRODUCT.

NOTES:

- ROHS COMPLIANT
- DIMENSIONS IN INCHES[MILLIMETERS (FOR REFERENCE)]

| SCALE 1:1.5 | | APPROVALS | DATE |
|--|--|---|------------|
| CAD GENERATED DRAWING DO NOT MANUALLY UPDATE. | | DRAWN BY ABD | 2022-08-08 |
| TOLERANCES ARE IN INCHES, AND MILLIMETERS TOLERANCES UNLESS OTHERWISE STATED ARE: | | CHECKED | |
| XX ± 1.0mm XX.X ± 0.5mm | X.X ± 0.1 X.XX ± 0.04 X.XXX ± 0.02 | MECH. ENG. | |
| | ANGLES ± 0.5° FRACTIONS ± 1/64 | ELEC. ENG. | |
| THIRD ANGLE PROJECTION | | TEST ENG. JRT | 2022-08-09 |
| SALES | | | |
| Electronically Controlled Use Latest Copy | |  ECCO www.eccolink.com Americas (800) 635-5900 Europe +44 (0)113 237 5340 Asia Pacific +61 (0)3 63322444 WORK LAMP, 9 LED, SQUARE, FLOOD, 12-24V CUSTOMER PART NO. E92006 | |
| SIZE: B | DWG. NO. E92006 | REV. D | |
| SHEET 1 OF 1 | Project: EC3410 | Date Created: 2013-02-08 | |