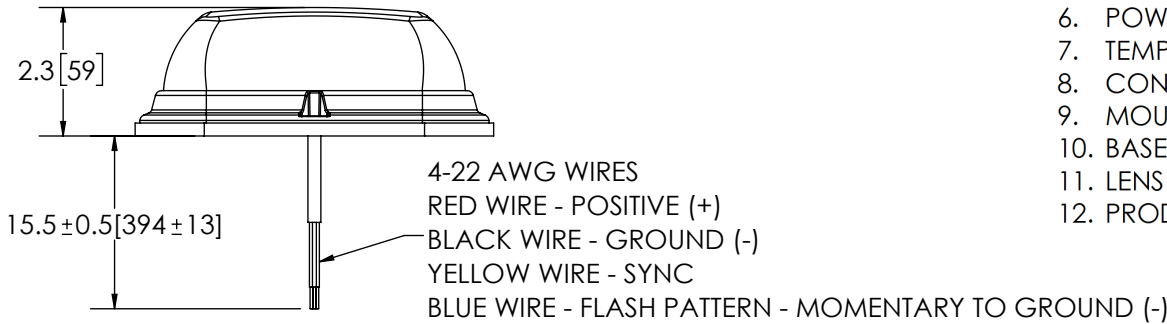
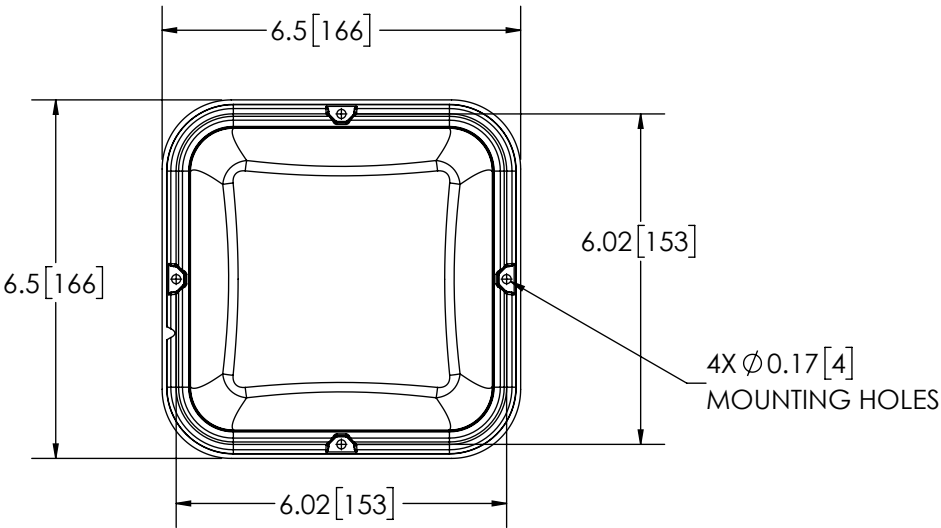


REVISION HISTORY		
REV.	DESCRIPTION	DATE
A	INITIAL RELEASE PER EL0005	2016-02-17
B	REVISE PER EL0005	2016-05-13
C	REVISED PER EC5278	2019-08-05



SPECIFICATIONS

- CERTIFICATIONS: ECE R10; AMECA/SAE J845 (JUN 2013) CLASS 1; CA Title 13 (SEE CHART); C-Tick; IP55
Note: Unique components, accessories, and hardware kits are not typically Included in the Product Certification Test Protocols. Unless otherwise Specified, the Product Certifications referred to herein are predicated upon the base product model configuration.
- FLASH MODE: SINGLE : 120 ± 5 FLASHES PER MINUTE
DOUBLE : 120 ± 5 FLASHES PER MINUTE
QUAD : 120 ± 5 FLASHES PER MINUTE
- VOLTAGE (NOMINAL): 12-24 VDC
- VOLTAGE (EXTREME): 10-30 VDC
- CURRENT (PEAK): 6.16A (@ 12 VDC NOMINAL)
- POWER (MAXIMUM): 78.8W (@ 12 VDC NOMINAL)
- TEMPERATURE RANGE: -22°F (-30°C) TO 122°F (50°C)
- CONNECTION: 4 - 22 AWG CABLE
- MOUNTING: 4 BOLT
- BASE MATERIAL: ALUMINUM
- LENS MATERIAL: POLYCARBONATE
- PRODUCT WEIGHT: 1.2 LBS (0.54 Kg)

MOUNTING DISCLAIMER
MOUNTING MEASUREMENT IS FOR REFERENCE ONLY. MEASURE BEFORE DRILLING.

FGS PRODUCT CHART		
FGS NO.	COLOR	CA T13
EB7180A	AMBER	CLASS E
EB7180CA	CLEAR/AMBER	CLASS E
EB7180CC	CLEAR/CLEAR	-

DISCLAIMER
DIMENSIONS, ILLUSTRATIONS, SPECIFICATIONS, AND CERTIFICATIONS CONTAINED IN THIS DOCUMENT ARE TYPICAL OF THE ACTUAL PRODUCT AND ARE SUBJECT TO CHANGE. ECCO ENGINEERING DOES NOT MAINTAIN FORMAL DESIGN CONTROL OF THIS PRODUCT

- NOTES:
1. ROHS COMPLIANT
2. DIMENSIONS IN INCHES[MILLIMETERS (FOR REFERENCE)]

PROPRIETARY AND CONFIDENTIAL INFORMATION

THIS DRAWING AND THE DESIGN AND OTHER INFORMATION DISCLOSED HEREIN ARE THE PROPERTY OF ELECTRONIC CONTROLS COMPANY AND/OR ITS ECCO SAFETY GROUP AFFILIATES ("ECCO") AND IS ISSUED IN CONFIDENCE TO RECIPIENT FOR ENGINEERING INFORMATION PURPOSES ONLY. THIS DRAWING AND THE DESIGN AND OTHER INFORMATION DISCLOSED HEREIN MAY NOT BE USED, COPIED, REPRODUCED OR OTHERWISE DISCLOSED IN PART OR IN WHOLE TO THIRD PARTIES OR USED FOR ANY OTHER PURPOSE WITHOUT PRIOR ECCO WRITTEN CONSENT. ECCO RESERVES ALL PATENT, COPYRIGHT, TRADEMARK AND OTHER PROPRIETARY RIGHTS TO THIS DOCUMENT, INCLUDING ALL DESIGN, MANUFACTURING, REPRODUCTION, USE AND SALES RIGHTS THERETO. THIS DRAWING IS SUBJECT TO RECALL BY ECCO AT ANY TIME, AND YOUR POSSESSION AND/OR USE CONSTITUTES ACCEPTANCE OF THESE TERMS. ©2015 ELECTRONIC CONTROLS COMPANY

SCALE 1:3.5		APPROVALS	DATE																
CAD GENERATED DRAWING DO NOT MANUALLY UPDATE. MODEL REFERENCED: A		DRAWN BY ABD	2019-03-29																
		CHECKED MDH	2019-04-01																
TOLERANCES ARE IN INCHES AND MILLIMETERS TOLERANCES UNLESS OTHERWISE STATED ARE:		MECH. ENG. JLA	2019-03-29																
		ELEC. ENG. SPO	2019-04-03																
MILLIMETERS DECIMALS XX. ± 1.0mm XX.X ± 0.5mm		TEST ENG. JRT	2019-04-02																
		SALES. ARS	2019-04-03																
THIRD ANGLE PROJECTION																			
<table border="1"> <thead> <tr> <th>MILLIMETERS DECIMALS</th> <th>INCHES DECIMALS</th> <th>ANGLES</th> <th>FRACTIONS</th> </tr> </thead> <tbody> <tr> <td>XX. ± 1.0mm</td> <td>X.X ± 0.1</td> <td>± 0.5°</td> <td></td> </tr> <tr> <td>XX.X ± 0.5mm</td> <td>X.XX ± 0.04</td> <td></td> <td>± 1/64</td> </tr> <tr> <td></td> <td>X.XXX ± 0.02</td> <td></td> <td></td> </tr> </tbody> </table>		MILLIMETERS DECIMALS	INCHES DECIMALS	ANGLES	FRACTIONS	XX. ± 1.0mm	X.X ± 0.1	± 0.5°		XX.X ± 0.5mm	X.XX ± 0.04		± 1/64		X.XXX ± 0.02			ECCO ® www.eccolink.com Americas (800) 635-5900 Europe +44 (0)113 237 5340 Asia Pacific +61 (0)3 63322444	
MILLIMETERS DECIMALS	INCHES DECIMALS	ANGLES	FRACTIONS																
XX. ± 1.0mm	X.X ± 0.1	± 0.5°																	
XX.X ± 0.5mm	X.XX ± 0.04		± 1/64																
	X.XXX ± 0.02																		
LED BEACON, SQ, SNGL STACK, 12-24V																			
CUSTOMER PART NO. SEE CHART		PRODUCT SERIES: EB7180																	
SIZE: A	DWG. NO. EB7180XX	REV. C																	
Electronically Controlled Use Latest Copy		SHEET 1 OF 1	Project: EL0005 Date Created: 2015-11-19																