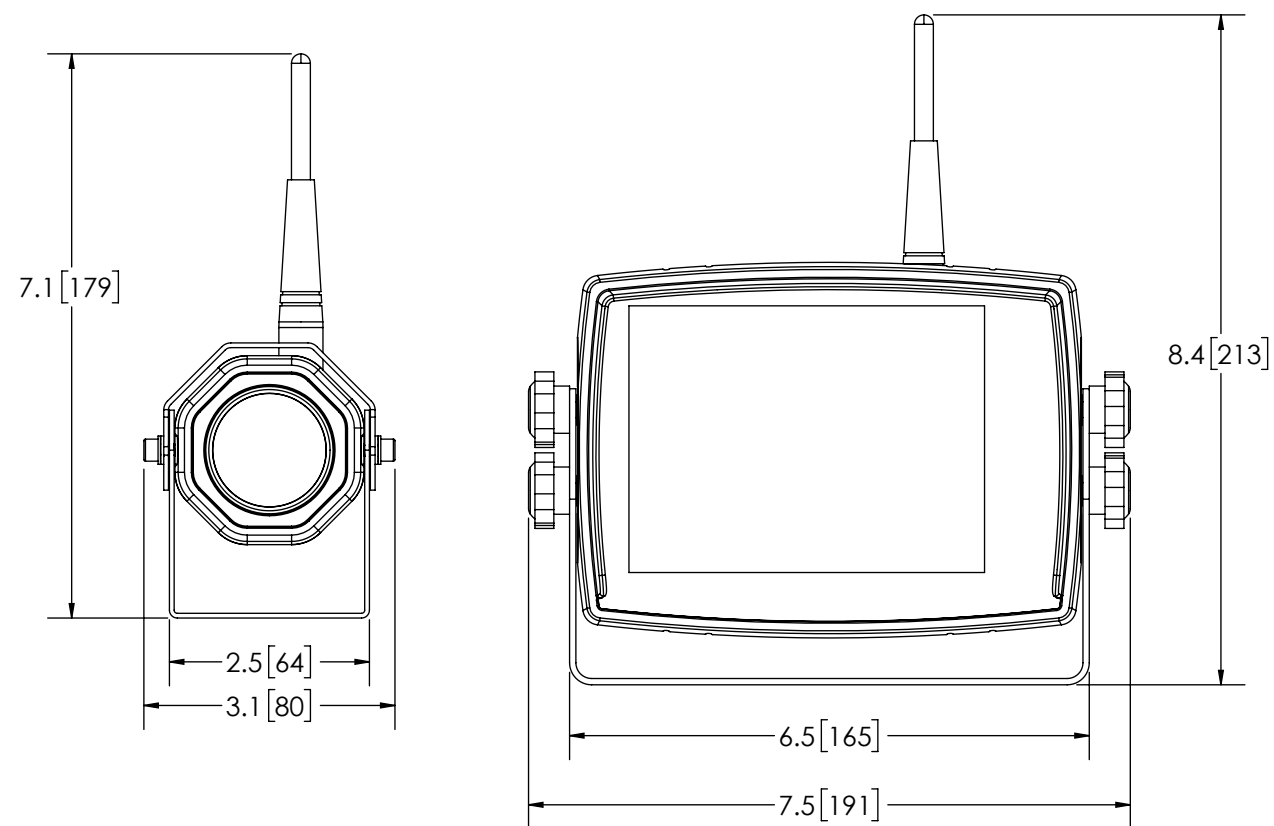
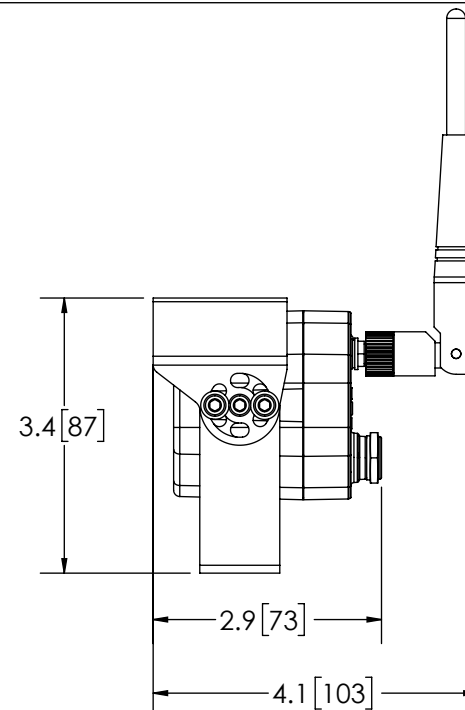


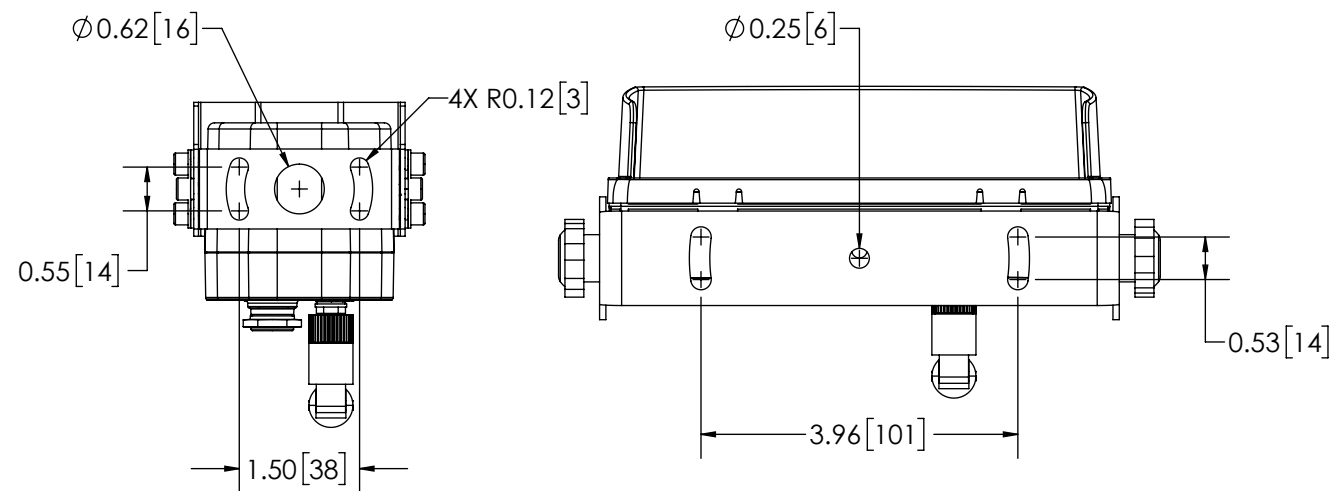
REVISION HISTORY		
REV.	DESCRIPTION	DATE
03	REVISED PER EC6429	2021-09-02
A	INITIAL RELEASE PER EC6429	2021-09-10
B	REVISED PER EC6429	2021-12-09



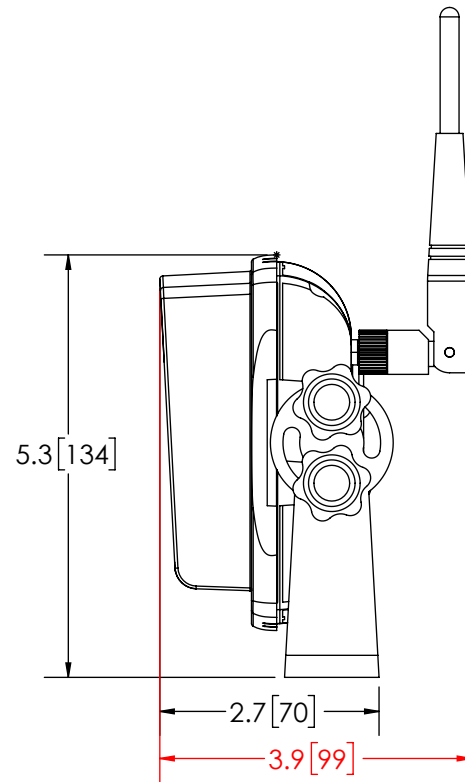
**FRONT VIEW**



**RIGHT VIEW - CAMERA**



**BOTTOM VIEW**



**RIGHT VIEW - MONITOR**

**SPECIFICATIONS**

- CERTIFICATIONS: **CE**; ECE R10; C-Tick; IP69K FCC;  
Note: Unique components, accessories, and hardware kits are not typically included in the Product Certification Test Protocols. Unless otherwise Specified, the Product Certifications referred to herein are predicated upon the base product model configuration.
- LENS ANGLE: 120°
- RESOLUTION: 728 X 488 (PIXELS)
- 11 IR LEDs FOR NIGHT VISION (8-10M VISIBILITY)
- VOLTAGE (NOMINAL): 12-24 VDC
- VOLTAGE (EXTREME): 10-32 VDC
- POWER (NOMINAL): 5.8W (@ 12 VDC NOMINAL)
- TEMPERATURE RANGE: -4°F (-20°C) TO 158°F (70°C)
- CONNECTION: 2 - 22 AWG WIRES
- RECOMMENDED MOUNTING: UNIVERSAL BRACKET
- PRODUCT WEIGHT: 0.8 LBS (0.36 Kg)
- AUDIO: YES

**CAMERA SPECIFICATIONS**

**SPECIFICATIONS**

- CERTIFICATIONS: **CE**; ECE R10; C-Tick; FCC;  
Note: Unique components, accessories, and hardware kits are not typically included in the Product Certification Test Protocols. Unless otherwise Specified, the Product Certifications referred to herein are predicated upon the base product model configuration.
- DISPLAY: 4:3 5.6
- RESOLUTION: 640 X 480 (PIXELS)
- COLOR SYSTEM: PAL/NTSC
- VOLTAGE (NOMINAL): 12-24 VDC
- VOLTAGE (EXTREME): 10-32 VDC
- POWER (NOMINAL): 4.0W (@ 12 VDC NOMINAL)
- TEMPERATURE RANGE: -4°F (-20°C) TO 158°F (70°C)
- CONNECTION: 8 PIN CONNECTOR
- RECOMMENDED MOUNTING: ADJUSTABLE BASE SUPPORT
- PRODUCT WEIGHT: 1.9 LBS (0.86 Kg)
- AUDIO: YES
- DAY/NIGHT SENSOR: YES
- WIRELESS: YES

**MONITOR SPECIFICATIONS**

DISCLAIMER  
DIMENSIONS, ILLUSTRATIONS, SPECIFICATIONS, AND CERTIFICATIONS CONTAINED IN THIS DOCUMENT ARE TYPICAL OF THE ACTUAL PRODUCT AND ARE SUBJECT TO CHANGE. ECCO ENGINEERING DOES NOT MAINTAIN FORMAL DESIGN CONTROL OF THIS PRODUCT.

MOUNTING DISCLAIMER  
MOUNTING MEASUREMENT IS FOR REFERENCE ONLY. MEASURE BEFORE DRILLING.

- NOTES:  
1. ROHS COMPLIANT  
2. DIMENSIONS IN INCHES [MILLIMETERS (FOR REFERENCE)]

PROPRIETARY AND CONFIDENTIAL INFORMATION  
THIS DRAWING AND THE DESIGN AND OTHER INFORMATION DISCLOSED HEREIN ARE THE PROPERTY OF ELECTRONIC CONTROLS COMPANY AND/OR ITS ECCO SAFETY GROUP AFFILIATES ("ECCO") AND IS ISSUED IN CONFIDENCE TO RECIPIENT FOR ENGINEERING INFORMATION PURPOSES ONLY. THIS DRAWING AND THE DESIGN AND OTHER INFORMATION DISCLOSED HEREIN MAY NOT BE USED, COPIED, REPRODUCED OR OTHERWISE DISCLOSED IN PART OR IN WHOLE TO THIRD PARTIES OR USED FOR ANY OTHER PURPOSE WITHOUT PRIOR ECCO WRITTEN CONSENT. ECCO RESERVES ALL PATENT, COPYRIGHT, TRADEMARK AND OTHER PROPRIETARY RIGHTS TO THIS DOCUMENT, INCLUDING ALL DESIGN, MANUFACTURING, REPRODUCTION, USE AND SALES RIGHTS THEREIN. THIS DRAWING IS SUBJECT TO RECALL BY ECCO AT ANY TIME, AND YOUR POSSESSION AND/OR USE CONSTITUTES ACCEPTANCE OF THESE TERMS. ©2021 ELECTRONIC CONTROLS COMPANY

SCALE 1:2.4		APPROVALS	DATE
CAD GENERATED DRAWING DO NOT MANUALLY UPDATE. MODEL REFERENCED: C		DRAWN BY ABD	2021-12-03
TOLERANCES ARE IN INCHES, AND MILLIMETERS TOLERANCES UNLESS OTHERWISE STATED ARE:		CHECKED JW	2021-12-07
MILLIMETERS DECIMALS	INCHES DECIMALS	MECH. ENG.	
XX. ± 1.0mm	X.X ± 0.1	ELEC. ENG.	
XX.X ± 0.5mm	X.XX ± 0.04	TEST ENG. BAK	2021-12-06
	X.XXX ± 0.02	SALES	
	ANGLES ± 0.5°		
	FRACTIONS ± 1/64		
THIRD ANGLE PROJECTION			
Electronically Controlled Use Latest Copy			

<b>ECCO</b> ® www.eccolink.com Americas (800) 635-5900   Europe +44 (0)113 237 5340   Asia Pacific +61 (0)3 63322444	
<b>CAMERA SYS, 5.6", 12-24V, COL, WIRELESS, GEN2</b>	
CUSTOMER PART NO. EC5605-WK2	
SIZE: B	DWG. NO. EC5605-WK2
Project: EC6429	Date Created: 2021-08-17
SHEET 1 OF 1	REV. B