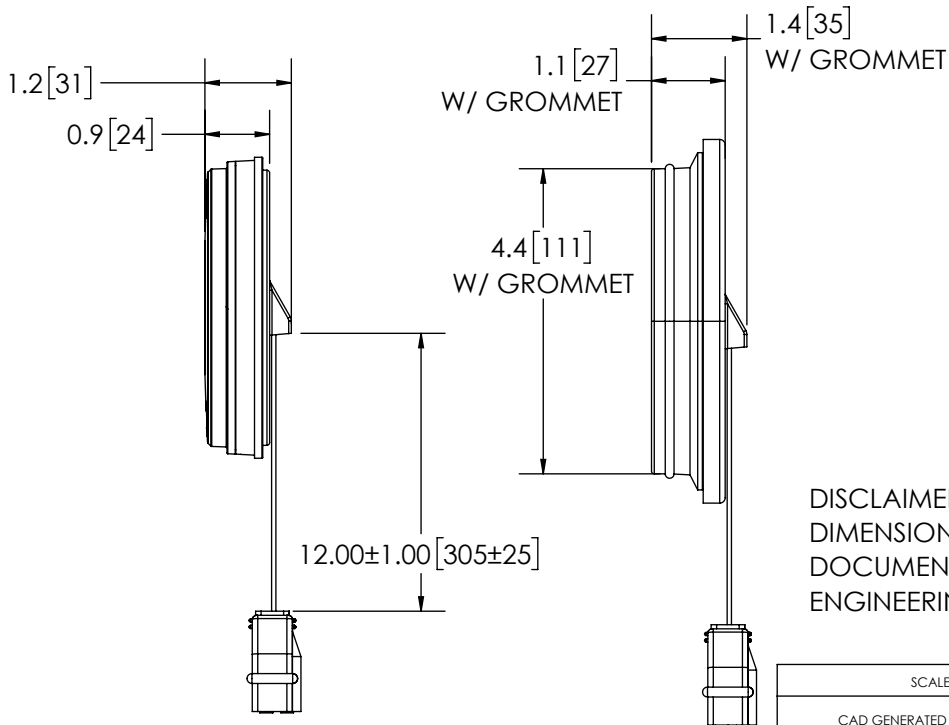


5-22 AWG WIRES STRIPPED & TINNED  
 RED(+) - POWER, COLOR 1  
 WHITE(+) - POWER, COLOR 2  
 GRAY(+) - REVERSE  
 YELLOW - SYNC  
 BLUE(-) - FLASH PATTERN SELECT

3-22 AWG WIRES W/ CONNECTOR  
 PIN 1- GROUND(-) WHITE W/ BLACK STRIPE  
 PIN 2- TAIL (+) BROWN  
 PIN 3- STOP/TURN(+) RED W/ WHITE STRIPE



NOTES:  
 1. ROHS COMPLIANT  
 2. DIMENSIONS IN INCHES[MILLIMETERS (FOR REFERENCE)]

| REVISION HISTORY |                            |            |
|------------------|----------------------------|------------|
| REV.             | DESCRIPTION                | DATE       |
| A                | INITIAL RELEASE PER EL0220 | 2021-02-01 |
| B                | REVISED PER EL0220         | 2021-02-16 |
| C                | REVISED PER EB0002         | 2022-03-15 |

## SPECIFICATIONS


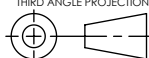
- CERTIFICATIONS: ECE R10; SAE J595 CLASS 1  
 AMBER/WHITE; CA Title 13 CLASS B AMBER; IP67/IP69K;  
 DOT ISTRW-1  
 Note: Unique components, accessories, and hardware kits are not typically included in the Product Certification Test Protocols. Unless otherwise Specified, the Product Certifications referred to herein are predicated upon the base product model configuration.
- FLASH MODE: SINGLE : 75 ± 5 FLASHES PER MINUTE  
 SINGLE : 375 ± 5 FLASHES PER MINUTE  
 DOUBLE : 75 ± 5 FLASHES PER MINUTE
- VOLTAGE (NOMINAL): 12-24 VDC
- VOLTAGE (EXTREME): 9-32 VDC
- CURRENT (PEAK): 1.1A (@ 12 VDC NOMINAL)
- POWER (MAXIMUM): 14.1W (@ 12 VDC NOMINAL)
- TEMPERATURE RANGE: -40°F (-40°C) TO 149°F (65°C)
- CONNECTION: 5 - 22 AWG WIRES + 3 - 22 AWG WIRES  
 W/CONNECTOR
- MOUNTING: GROMMET
- BASE MATERIAL: POLYCARBONATE
- LENS MATERIAL: POLYCARBONATE
- PRODUCT WEIGHT: 0.5 LBS (0.23 Kg)

### DISCLAIMER

DIMENSIONS, ILLUSTRATIONS, SPECIFICATIONS AND CERTIFICATIONS CONTAINED IN THIS DOCUMENT ARE TYPICAL OF THE ACTUAL PRODUCT AND ARE SUBJECT TO CHANGE. ECCO ENGINEERING DOES NOT MAINTAIN FORMAL DESIGN CONTROL OF THIS PRODUCT.

PROPRIETARY AND CONFIDENTIAL INFORMATION

THIS DRAWING AND THE DESIGN AND OTHER INFORMATION DISCLOSED HEREIN ARE THE PROPERTY OF ELECTRONIC CONTROLS COMPANY AND/OR ITS ECCO SAFETY GROUP AFFILIATES ("ECCO") AND IS ISSUED IN CONFIDENCE TO RECIPIENT FOR ENGINEERING INFORMATION PURPOSES ONLY. THIS DRAWING AND THE DESIGN AND OTHER INFORMATION DISCLOSED HEREIN MAY NOT BE USED, COPIED, REPRODUCED OR OTHERWISE DISCLOSED IN PART OR IN WHOLE TO THIRD PARTIES OR USED FOR ANY OTHER PURPOSE WITHOUT PRIOR ECCO WRITTEN CONSENT. ECCO RESERVES ALL PATENT, COPYRIGHT, TRADEMARK AND OTHER PROPRIETARY RIGHTS TO THIS DOCUMENT, INCLUDING ALL DESIGN, MANUFACTURING, REPRODUCTION, USE AND SALES RIGHTS THEREON. THIS DRAWING IS SUBJECT TO RECALL BY ECCO AT ANY TIME, AND YOUR POSSESSION AND/OR USE CONSTITUTES ACCEPTANCE OF THESE TERMS. ©2020 ELECTRONIC CONTROLS COMPANY

| SCALE 1:2.75   |                 | APPROVALS            | DATE            |  <b>ECCO</b> <sup>®</sup> www.eccolink.com<br>Americas (800) 635-5900   Europe +44 (0)113 237 5340   Asia Pacific +61 (0)3 63322444 |        |             |           |        |              |             |           |  |              |        |            |
|--|-----------------|----------------------|-----------------|--|--------|-------------|-----------|--------|--------------|-------------|-----------|--|--------------|--------|------------|
| CAD GENERATED DRAWING<br>DO NOT MANUALLY UPDATE.   |                 | DRAWN BY JW          | 2022-02-07      |  |        |             |           |        |              |             |           |  |              |        |            |
| TOLERANCES ARE IN INCHES, AND MILLIMETERS<br>TOLERANCES UNLESS OTHERWISE STATED ARE:   |                 | CHECKED BTK          | 2022-02-07      | <b>DIRECTIONAL,4" ROUND,STTR-W COMBO,PL3,AW</b><br>CUSTOMER PART NO.<br><b>ED3040AW</b>  |        |             |           |        |              |             |           |  |              |        |            |
| <table border="1"> <tr> <th>MILLIMETERS DECIMALS</th> <th>INCHES DECIMALS</th> <th>ANGLES</th> </tr> <tr> <td>XX. ± 1.0mm</td> <td>X.X ± 0.1</td> <td>± 0.5°</td> </tr> <tr> <td>XX.X ± 0.5mm</td> <td>X.XX ± 0.04</td> <td>FRACTIONS</td> </tr> <tr> <td></td> <td>X.XXX ± 0.02</td> <td>± 1/64</td> </tr> </table> |                 | MILLIMETERS DECIMALS | INCHES DECIMALS |  | ANGLES | XX. ± 1.0mm | X.X ± 0.1 | ± 0.5° | XX.X ± 0.5mm | X.XX ± 0.04 | FRACTIONS |  | X.XXX ± 0.02 | ± 1/64 | MECH. ENG. |
| MILLIMETERS DECIMALS   | INCHES DECIMALS | ANGLES               |                 |  |        |             |           |        |              |             |           |  |              |        |            |
| XX. ± 1.0mm  | X.X ± 0.1       | ± 0.5°               |                 |  |        |             |           |        |              |             |           |  |              |        |            |
| XX.X ± 0.5mm   | X.XX ± 0.04     | FRACTIONS            |                 |  |        |             |           |        |              |             |           |  |              |        |            |
|  | X.XXX ± 0.02    | ± 1/64               |                 |  |        |             |           |        |              |             |           |  |              |        |            |
| THIRD ANGLE PROJECTION   |                 | ELEC. ENG. SPO       | 2022-02-07      | SIZE: A DWG. NO. ED3040AW REV. C<br>SHEET 1 OF 1 Project: EL0220 Date Created: 2020-12-10  |        |             |           |        |              |             |           |  |              |        |            |
|    |                 | TEST ENG. BAK        | 2022-02-09      |  |        |             |           |        |              |             |           |  |              |        |            |
|  |                 | SALES.               |                 | Electronically Controlled Use Latest Copy  |        |             |           |        |              |             |           |  |              |        |            |