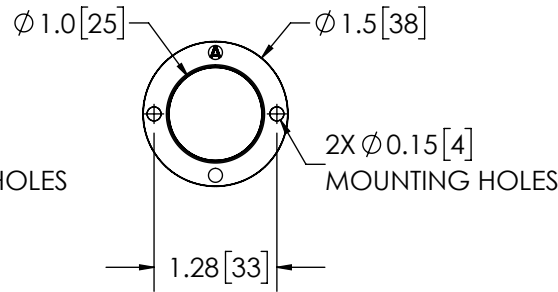
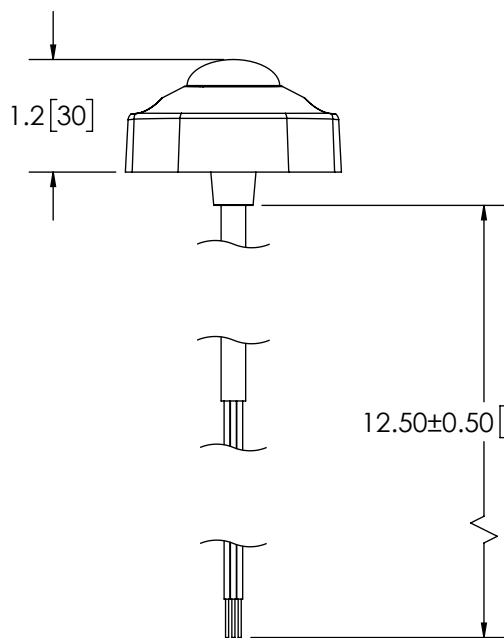


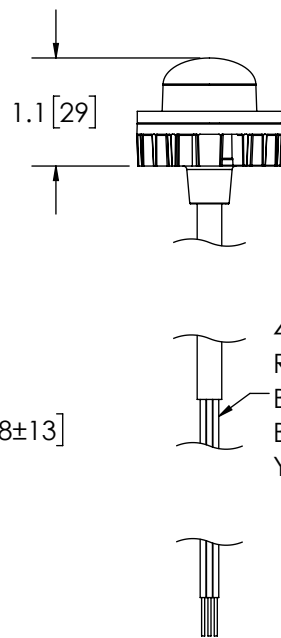
**BEZEL MOUNTING**



**GASKET MOUNTING**



**BEZEL MOUNTING**



**GASKET MOUNTING**

4-20 AWG WIRES  
 RED - POWER(+)  
 BLACK - GROUND(-)  
 BLUE - PATTERN SELECT(-)/ DIM(+)  
 YELLOW - SYNCH

REVISION HISTORY

REV.	DESCRIPTION	DATE
04	REVISED PER EP0154	2022-01-12
A	INITIAL RELEASE PER EP0154	2022-01-14
B	REVISED PER EP0154	2022-04-12

**SPECIFICATIONS**

- CERTIFICATIONS: **CE**; ECE R10; SAE J595 (AUG 2021) CLASS 2M; ;  
 Note: Unique components, accessories, and hardware kits are not typically included in the Product Certification Test Protocols. Unless otherwise Specified, the Product Certifications referred to herein are predicated upon the base product model configuration.
- FLASH MODE: SINGLE : 75 ± 5 FLASHES PER MINUTE  
 SINGLE : 120 ± 5 FLASHES PER MINUTE  
 DOUBLE : 75 ± 5 FLASHES PER MINUTE
- VOLTAGE (NOMINAL): 12-24 VDC
- VOLTAGE (EXTREME): 9.0-32 VDC
- CURRENT (PEAK): SEE CHART(@ 12 VDC NOMINAL)
- POWER (MAXIMUM): SEE CHART (@ 12 VDC NOMINAL)
- TEMPERATURE RANGE: -40°F (-40°C) TO 149°F (65°C)
- CONNECTION: 4 - 20 AWG CABLE
- MOUNTING: 2 BOLT
- BASE MATERIAL: ALUMINUM
- LENS MATERIAL: POLYCARBONATE
- PRODUCT WEIGHT: 0.1 LBS (0.05 Kg)


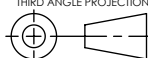
**FGS. PRODUCT CHART**

FGS. NO.	COLOR	CURRENT (PEAK) A	POWER (MAX) W
ED9015A	AMBER	0.64	8.2
ED9015W	WHITE	0.66	8.4
ED9015R	RED	0.52	6.6
ED9015B	BLUE	0.67	8.6

- NOTES:  
 1. ROHS COMPLIANT  
 2. DIMENSIONS IN INCHES[MILLIMETERS (FOR REFERENCE)]

PROPRIETARY AND CONFIDENTIAL INFORMATION

THIS DRAWING AND THE DESIGN AND OTHER INFORMATION DISCLOSED HEREIN ARE THE PROPERTY OF ELECTRONIC CONTROLS COMPANY AND/OR ITS ECCO SAFETY GROUP AFFILIATES ("ECCO") AND IS ISSUED IN CONFIDENCE TO RECIPIENT FOR ENGINEERING INFORMATION PURPOSES ONLY. THIS DRAWING AND THE DESIGN AND OTHER INFORMATION DISCLOSED HEREIN MAY NOT BE USED, COPIED, REPRODUCED OR OTHERWISE DISCLOSED IN PART OR IN WHOLE TO THIRD PARTIES OR USED FOR ANY OTHER PURPOSE WITHOUT PRIOR ECCO WRITTEN CONSENT. ECCO RESERVES ALL PATENT, COPYRIGHT, TRADEMARK AND OTHER PROPRIETARY RIGHTS TO THIS DOCUMENT, INCLUDING ALL DESIGN, MANUFACTURING, REPRODUCTION, USE AND SALES RIGHTS THERETO. THIS DRAWING IS SUBJECT TO RECALL BY ECCO AT ANY TIME, AND YOUR POSSESSION AND/OR USE CONSTITUTES ACCEPTANCE OF THESE TERMS. ©2021 ELECTRONIC CONTROLS COMPANY

SCALE 1:2	APPROVALS	DATE	 <b>ECCO</b> <sup>®</sup> www.eccolink.com Americas (800) 635-5900   Europe +44 (0)113 237 5340   Asia Pacific +61 (0)3 63322444
CAD GENERATED DRAWING DO NOT MANUALLY UPDATE.	DRAWN BY ABD	2022-02-25	
TOLERANCES ARE IN INCHES, AND MILLIMETERS TOLERANCES UNLESS OTHERWISE STATED ARE:	CHECKED JW	2022-02-28	<b>LED FLASHER, HAL, 12-24, SINGLE COLOR</b> CUSTOMER PART NO. <b>SEE CHART</b>
MILLIMETERS DECIMALS XX. ± 1.0mm XX.X ± 0.5mm	MECH. ENG.		
INCHES DECIMALS X.X ± 0.1 X.XX ± 0.04 X.XXX ± 0.02	ELEC. ENG.		SIZE: A DWG. NO. ED9015X REV. B Project: EP0154 Date Created: 2021-12-10
ANGLES ± 0.5° FRACTIONS ± 1/64	ELEC. ENG.		
THIRD ANGLE PROJECTION	TEST ENG.		SHEET 1 OF 1 Electronically Controlled Use Latest Copy
	SALES		