

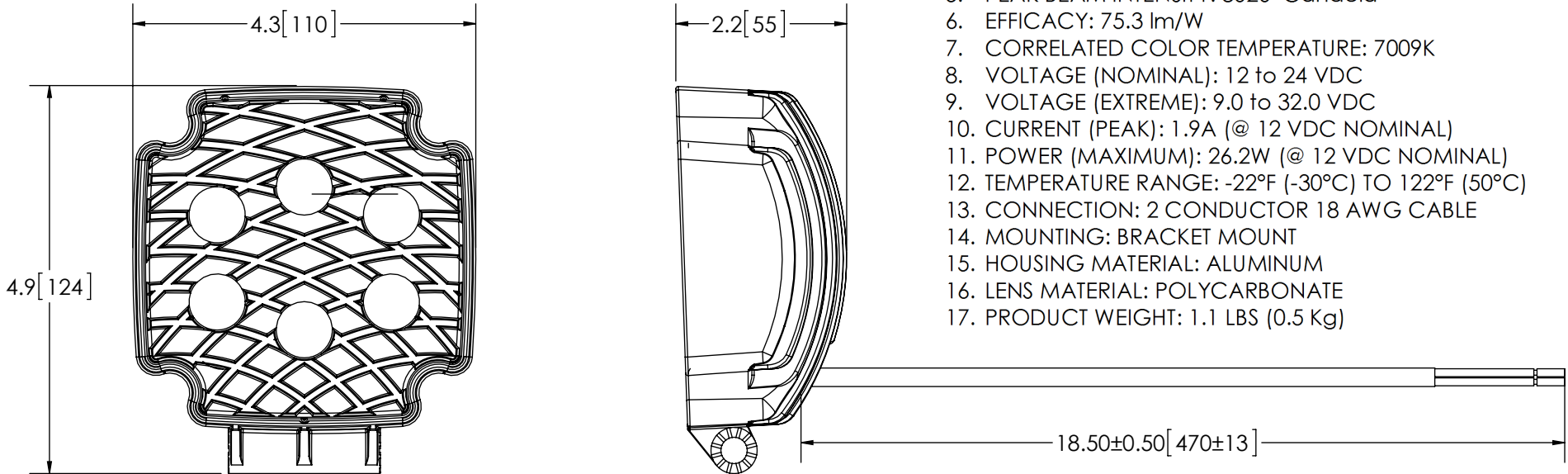
REVISION HISTORY		
REV.	DESCRIPTION	DATE
01	PRELIMINARY RELEASE PER P12007	2013-08-29
02	REVISED PER P12007	2013-09-03
A	INITIAL RELEASE PER P12007	2013-09-06

SPECIFICATIONS

- CERTIFICATIONS: **CE**; ECE R10; IP-67D, Category 2, Restricted

Note: Unique components, accessories, and hardware kits are not typically Included in the Product Certification Test Protocols. Unless otherwise Specified, the Product Certifications referred to herein are predicated upon the base product model configuration.

- RAW LUMENS: 1650 lumens
- EFFECTIVE LUMENS: 1400 lumens
- ILLUMINANCE: 8.6 lux
- PEAK BEAM INTENSITY: 8020 Candela
- EFFICACY: 75.3 lm/W
- CORRELATED COLOR TEMPERATURE: 7009K
- VOLTAGE (NOMINAL): 12 to 24 VDC
- VOLTAGE (EXTREME): 9.0 to 32.0 VDC
- CURRENT (PEAK): 1.9A (@ 12 VDC NOMINAL)
- POWER (MAXIMUM): 26.2W (@ 12 VDC NOMINAL)
- TEMPERATURE RANGE: -22°F (-30°C) TO 122°F (50°C)
- CONNECTION: 2 CONDUCTOR 18 AWG CABLE
- MOUNTING: BRACKET MOUNT
- HOUSING MATERIAL: ALUMINUM
- LENS MATERIAL: POLYCARBONATE
- PRODUCT WEIGHT: 1.1 LBS (0.5 Kg)



NOTES:
1. DIMENSIONS IN INCHES [MILLIMETERS (FOR REFERENCE)]

SCALE 1:2		APPROVALS	DATE
CAD GENERATED DRAWING DO NOT MANUALLY UPDATE. MODEL REFERENCED: A		DRAWN BY: SNS	2014-09-04
		CHECKED: MDH	
TOLERANCES ARE IN INCHES, AND MILLIMETERS TOLERANCES ARE:		MECH. ENG.: JLA	
MILLIMETERS DECIMALS XX. ± 1.0mm XX.X ± 0.5mm	INCHES DECIMALS X.X ± 0.1 X.XX ± 0.04 X.XXX ± 0.02	ELEC. ENG.: TJT	
	ANGLES ± 0.5°	TEST ENG.: JRT	
	FRACTIONS ± 1/64	SALES: ARS	
THIRD ANGLE PROJECTION			
NON DISCLOSURE AGREEMENT		ECCO ® Electronic Controls Co. 833 West Diamond Street, Boise, ID 83705 800-635-5900 www.eccolink.com	
		WORKLAMP, 6LED, SQUARE, FLOOD, 12-24VDC	
		CUSTOMER PART NO. EW2101	PRODUCT SERIES:
		SIZE: A	DWG. NO. EW2101
		REV. A	
Electronically Controlled Use Latest Copy		SHEET 1 OF 1	Project: P12007 Date Created: 2013-08-29

THIS DRAWING AND THE DESIGN IT DISCLOSES ARE THE PRIVATE PROPERTY OF ECCO AND IS ISSUED IN CONFIDENCE FOR ENGINEERING INFORMATION ONLY. THE DRAWING AND / OR DESIGN MAY NOT BE USED, COPIED, REPRODUCED, OR OTHERWISE DISCLOSED IN PART OR AS A WHOLE TO OUTSIDERS OR USED FOR ANY OTHER PURPOSE WITHOUT THE PRIOR WRITTEN CONSENT OF ECCO. THE DRAWING IS SUBJECT TO RECALL AT ANY TIME. YOUR POSSESSION OF THIS DOCUMENT CONSTITUTES ACCEPTANCE OF THESE TERMS. © 2013 ECCO