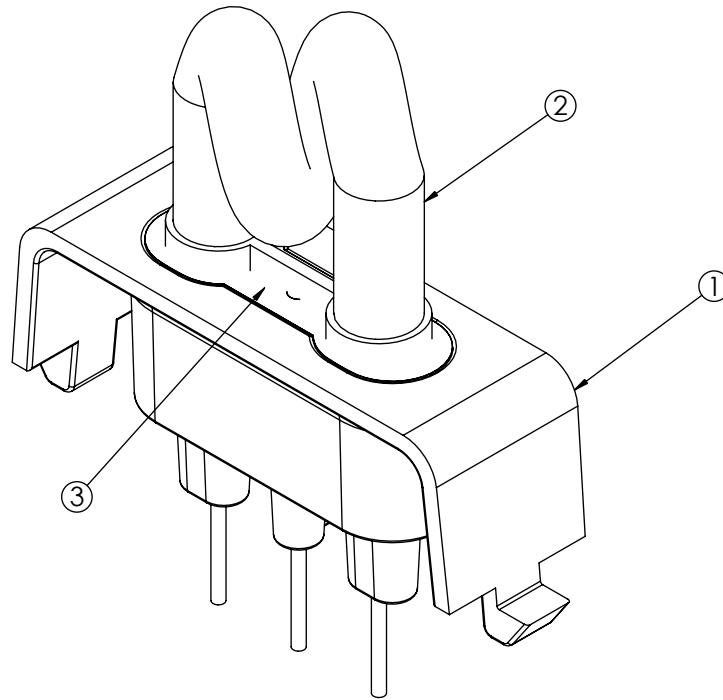


8 7 6 5 4 3 2 1

REVISION HISTORY		
REV.	DESCRIPTION	DATE
01	PRELIMINARY RELEASE PER CR# 2024	2006-02-01
A	INITIAL RELEASE PER CR# 2024	2006-06-05



ITEM NO.	QTY.	DESCRIPTION	COMMENTS
1	1	CONNECTOR, FLASHTUBE, BLOCK II, TOP 1/2	
2	1	FLASHTUBE,HELICAL,20 WATT	
3	2	ADHESIVE,SILICONE,RUBBER,RTV (GE: IS806)	
4	1	BOX,2 1/2 X 2 1/4 X 1,BLUE,FLASHTUBE	NOT SHOWN

SCALE 1:0.5		APPROVALS	DATE
CAD GENERATED DRAWING DO NOT MANUALLY UPDATE. MODEL REFERENCED:A		DRAWN BY DJG	
TOLERANCES ARE IN INCHES, TOLERANCES ARE:		CHECKED	
MECH. ENG.			
ELEC. ENG.			
TEST ENG.			
SALES.			
MILLIMETERS DECIMALS .X ± .1 .XX ± .01 .XXX ± .005 .XXXX ± .0030	INCHES DECIMALS .X ± .1 .XX ± .01 .XXX ± .005 .XXXX ± .0030	ANGLES ± 0.5° FRACTIONS ± 1/64	THIRD ANGLE PROJECTION

**ECCO**® Electronic Controls Co.  
An Employee Owned Company  
800-635-5900 P.O. BOX 7246, BOISE, ID 83707

<b>REPLACEMENT, FLASH TUBE, HELICAL, 20 WATT</b>	
CUSTOMER PART NO. <b>R6501FT</b>	PRODUCT SERIES: <b>R6501FT</b>
SIZE: <b>A</b>	DWG. NO. <b>R6501FT</b>
SHEET 1 OF 1	Project: CR#2024 Date Created: 2006-02-01

NON DISCLOSURE AGREEMENT

THIS DRAWING AND THE DESIGN IT DISCLOSES ARE THE PRIVATE PROPERTY OF ECCO AND IS ISSUED IN CONFIDENCE FOR ENGINEERING INFORMATION ONLY. THE DRAWING AND / OR DESIGN MAY NOT BE USED, COPIED, REPRODUCED, OR OTHERWISE DISCLOSED IN PART OR AS A WHOLE TO OUTSIDERS OR USED FOR ANY OTHER PURPOSE WITHOUT THE PRIOR WRITTEN CONSENT OF ECCO. THE DRAWING IS SUBJECT TO RECALL AT ANY TIME. YOUR POSSESSION OF THIS DOCUMENT CONSTITUTES ACCEPTANCE OF THESE TERMS. © 2006 ECCO

8 7 6 5 4 3 2 1