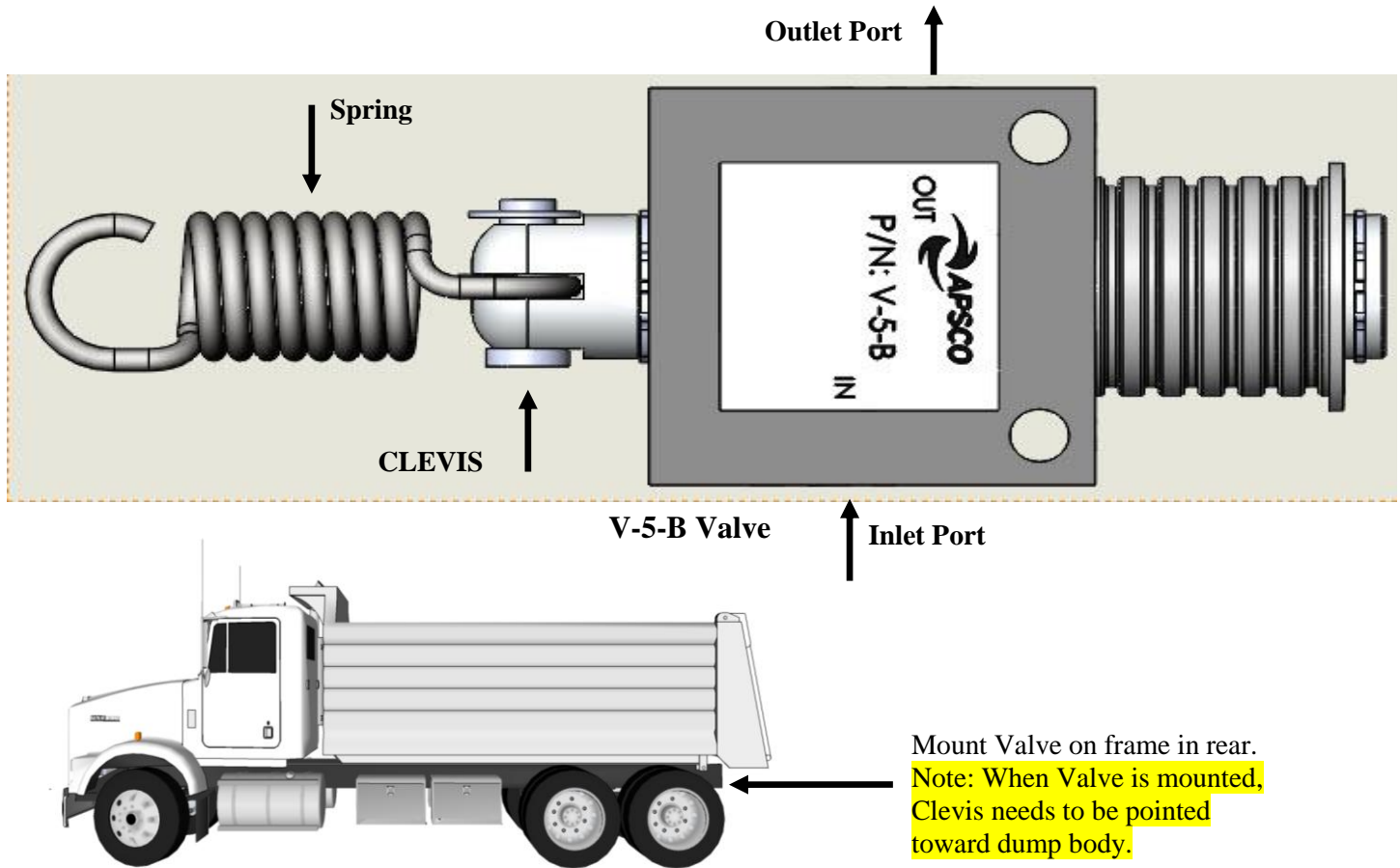




Air Power Systems Co., Inc.
 8178 E. 44th St.
 Tulsa, OK 74145
 (918) 622-5600 FAX: (918) 622-5469
 Web: www.apscopower.com

APSCO V-5-B Installation Instructions

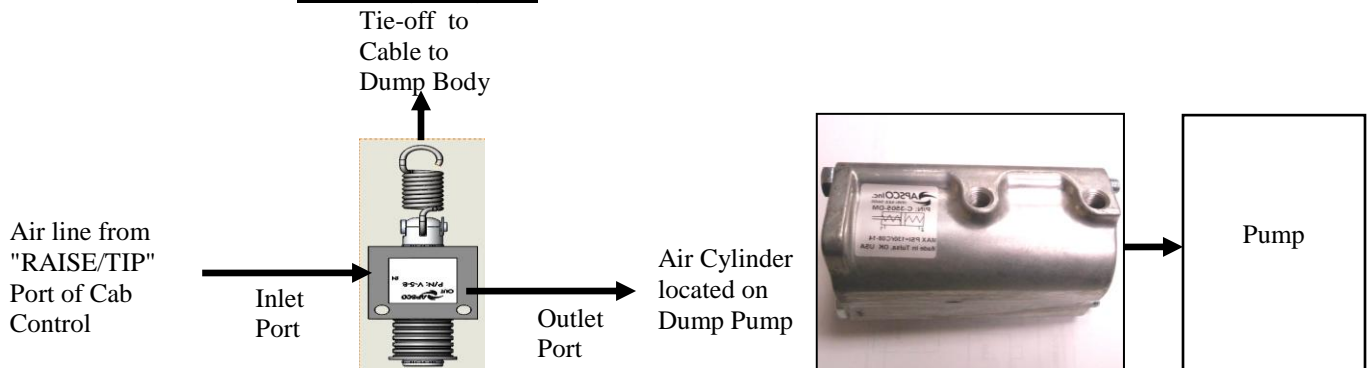
Rev.:)E, 06/21/18
 Approved By: Ryan Tietz
 II #: II-151



Installation:

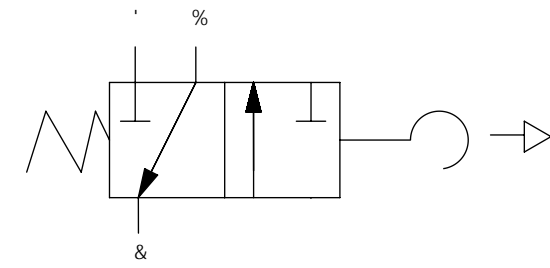
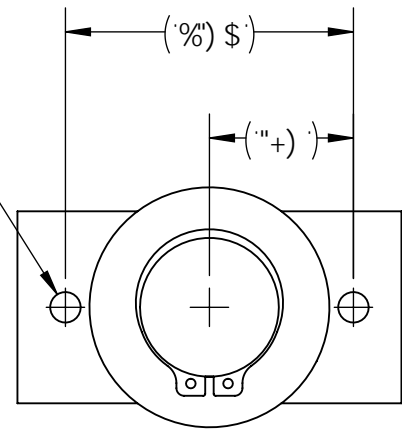
1. Install air line from the "RAISE/TIP" Port of the Cab Control to the Inlet Port of the V-5-B. Run the Outlet Port air line from the V-5-B Outlet Port to the "RAISE/TIP" Port on the Air Cylinder on the Dump Pump.
Note: Apply thread sealant to all fittings.
2. Raise Dump Body to desired height.
3. Tie cable to Spring and Dump Body. **Note: Insure that V-5-B Spring is in its relaxed position (ie there is no tension on Spring).**

Plumbing Diagram

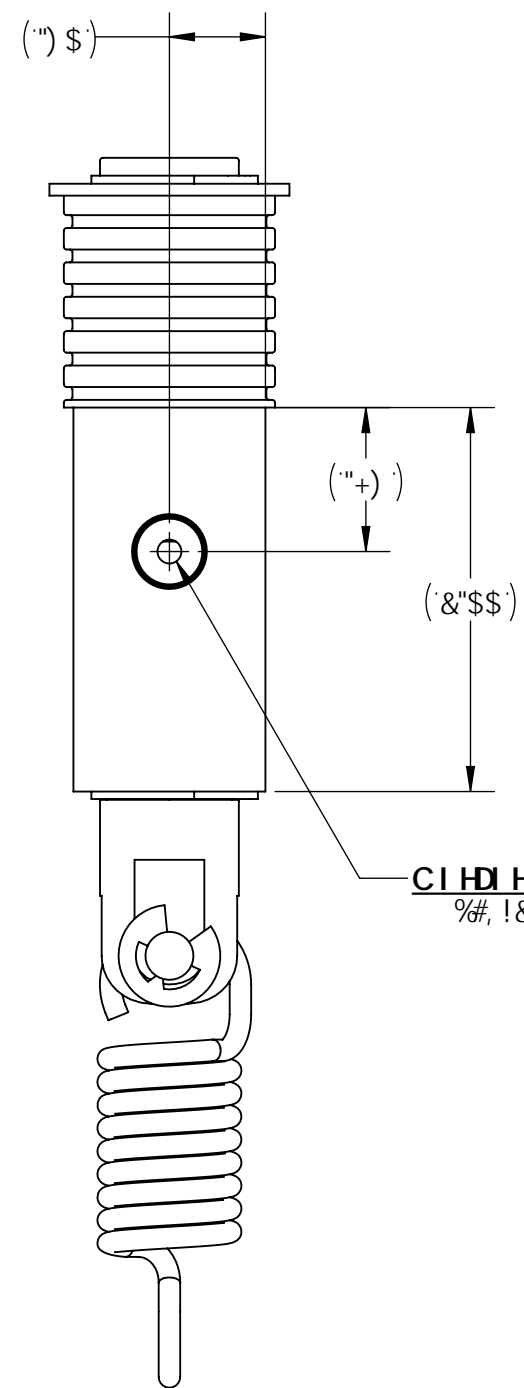


GD7 ± 7.5 HCBG
 J5@9HMD9 DI @#GDF-B; 'F9H FBZ' 'K 5M&DC G#E B
 BIA 69F C: 'DC FHG \$!% \$DG=
 CD9F5HB: 'F5B; 9 &\$' @G
 J5@9DF9@58 &-') @G
 J5@9K CF?B; @58 &-') @G
 GFC?9 \$'' *' B

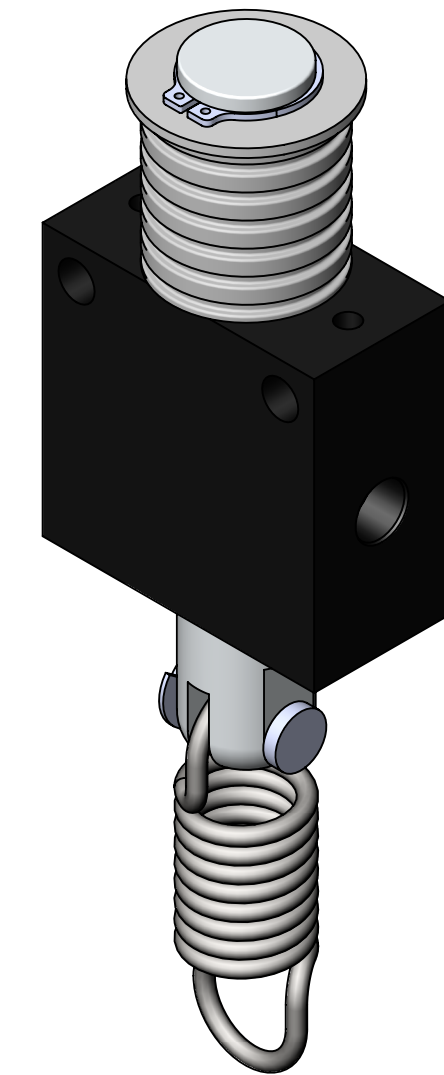
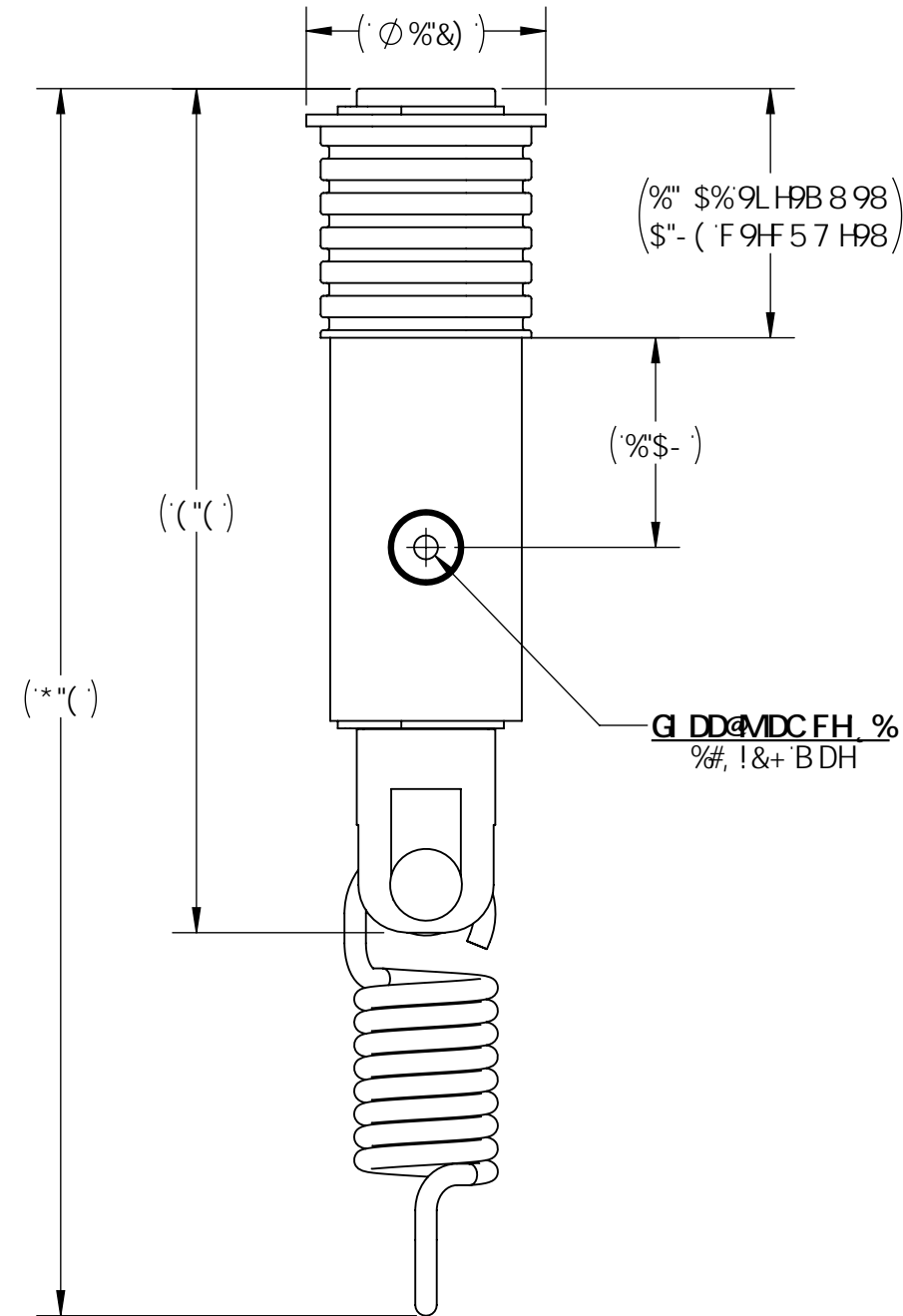
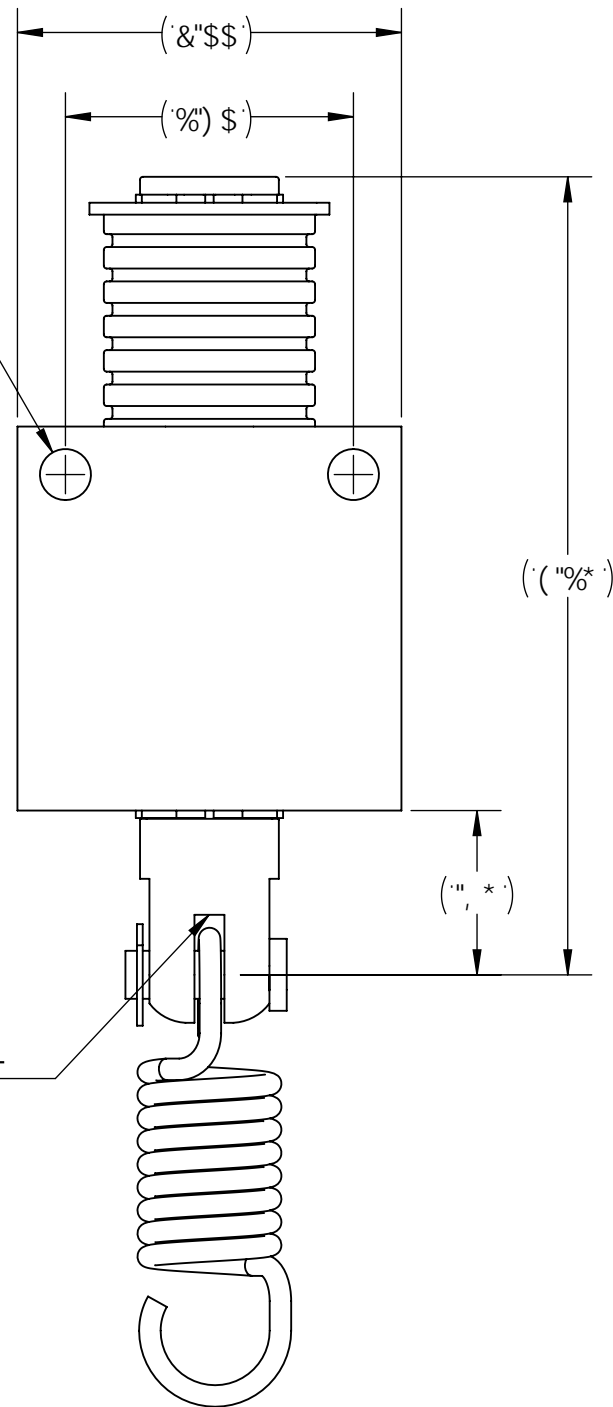
&L '%\$!' &I B: '1&6 ∇''&)
 A C I BHB; ' <C @G



J5@9G7 < 9A 5H7
 BC FA 5 @MC D9B 'C 'DC FH, &



&L '∅''&*''
 A C I BHB; ' <C @G



C I H D I H D C F H, &
 %#, !&+ B D H

9L < 5I G H D C F H, '
 ∅''&) \$

G D D @ M D C F H, %
 %#, !&+ B D H

F9J -G-CBG					
97F	F9J G-CB	89G7 F-4HC B	7 < 5B: 98 6M	85H9	5DDFC J 98 6M
' *+&	9	58898 C DHC B5 @++- !C F	76	%@#%/(#&\$%	FH

DFC DF-9H5 FM5 B8 7 CB: -89BH5 @ <small>V P O A Q U T C E W P A U P V C E O O A P V P O U C E P Q Q W A P O A U U S O A U U O U V Y A U O S D G 7 C - W A L B Y A U O U U O W O W P A A U C E V A U A E A J A Y P U S O A Q P U W A Y U Q V O P A U O U T W U W P A U O A 5 D G 7 C - W A U A U U P Q Q O E</small>											
HMD9C: DFC > 97 HCB H: F8 5B: @9DFC > 97 HCB		A 5HF 5@ B #5		H#99: J5@9ZDI @#GDF-B; 'F9H FBZ' ' !K 5M&DC Gz @A #							
8F5K B	5K	85H9) #/% #&\$%	I B @9G C H: 9F K @9 GD97 ± 98 8 A 9B GC BG5F9 B 'B7 < 9G HC @9F 5B7 9G5F9							
7 < 97 798	FF	85H9) #/% #&\$%	8K: "'BC" J!)!6							
5DDFC J 98	?H	85H9) #/% #&\$%	897 A 5@G G F: 579: -B.G<: '' L L 1 ± '\$' 5B: @G ± &' L L L 1 ± '\$' & <C @G ± '\$\$' L L L 1 ± '\$' & <C @G @ 7.5 HCB ± '\$\$' 8C B C H G 7 5 @ 9 8 F 5 K B:							
: 85@	FH	85H9) #/% #&\$%	G< 99HC@9 G7 5 @9 F9J -G-CB Ô FKF 9							
				#B: J!)!6 G<H% C: %							