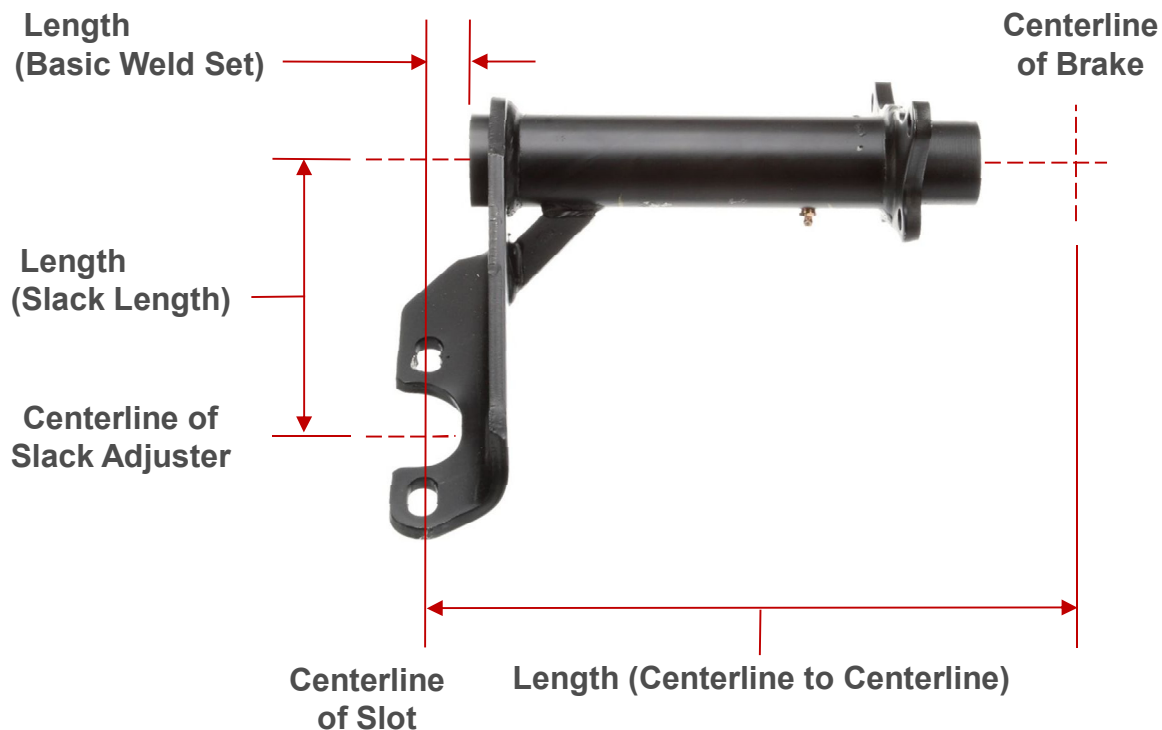


Bracket Assembly



Left Hand (CCW)
Ref. Pt. #819508



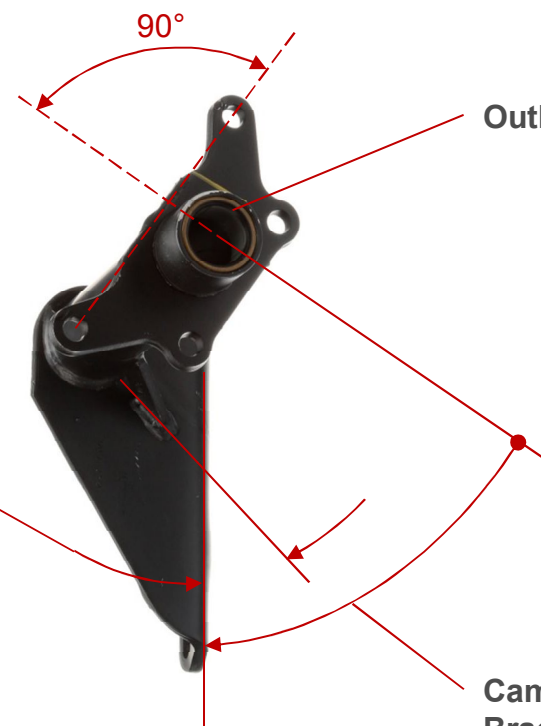
Right Hand (CW)
Ref. Pt. #814947

Arm Style



Gusset Angle

Inboard Bushing



Outboard Bushing

Camshaft Bracket Angle
CW for Right Hand

Example shown:
Gusset Angle = 40°
Camshaft Bracket Angle = 56° CW
Measured CW (Right Hand), CCW (Left Hand)