

CHELSEA® 645 SERIES

Rear Mount Geared Adapter

When you need to change PTO output shaft rotation or clear a mounting obstacle, a geared adapter may be required.

The 645 adapter is designed to simplify your selection and installation of a geared adapter when you require a change in rotation or are trying to clear an obstacle.

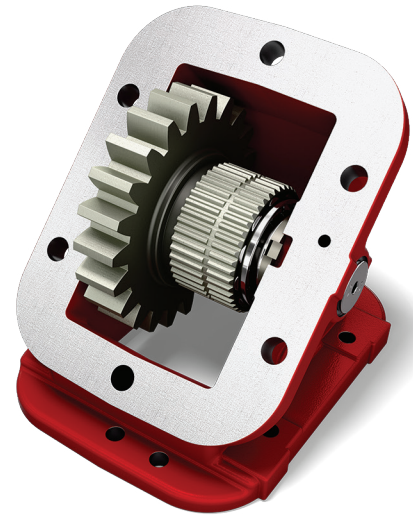
The adapter uses the same input gears as the 442 and 489 Series PTOs, and are available in kits. The 645 fits a 6-Bolt opening and angles the PTO down at a 45° angle.

The 645 adapter assemblies have the same pitch line to mounting face dimensions as the 442 Series. This means the same mounting hardware and spacers you use to mount the PTO to a specific application will be the same hardware you use to mount the geared adapter to that application.

Using the 645 will change the direction of PTO rotation. It will not change the speed of the PTO.

Product Features and Benefits:

- 6-Bolt PTO for a 6-Bolt Transmission Opening.
- Moves the PTO down at a 45° angle, helping to eliminate interference problems.
- Uses the same input gears as the 442 and 489 Series.



645 Series



645 Series Geared Adapters

6-Bolt PTO at 45 Degree Angle to a 6-Bolt Transmission Opening

Model Number Designator & Dimensions

645
Basic Model
645

X
Mounting Flange Option

Option Code	
G	Standard Mount w/ Metric Studs
K	Standard Mount w/o Stud Kit
X	Standard Mount
Z	Deep Mount

AH
Adapter Gear Option

X
Lube Option

Option Code	
Pressure Lube	
P	Pressure Lube
No Pressure Lube	
X	No Pressure Lube

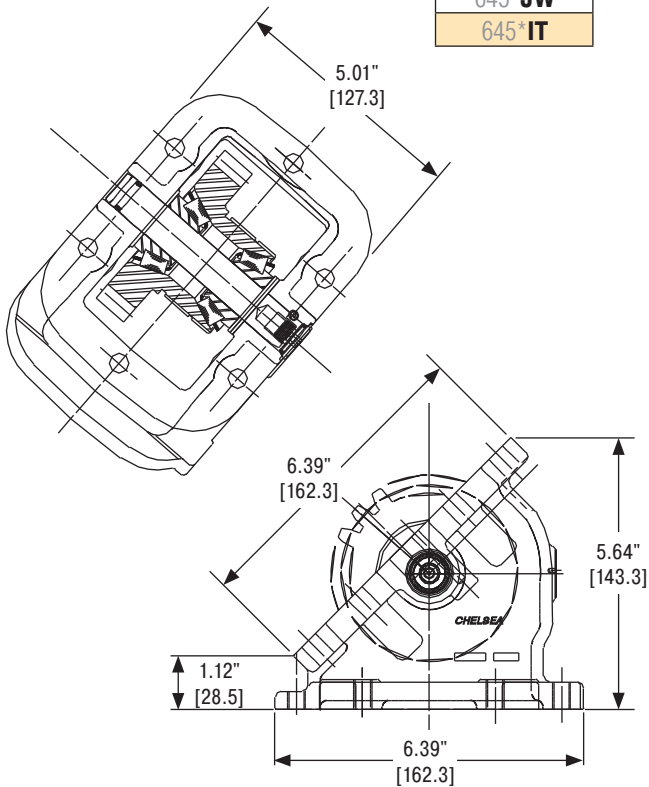
3
Assembly Arrangement

Option Code	
3	
4	

XX
PTO Pitch Option

Input Gear Designator	
AH	-*AH
AR	-*GY
BG	-*HB
BQ	-*BP
DA	-*DA
ES	-*HL
EV	-*EV
EW	-*HM
HY	-*JB
JK	-*JL
JU	-*KA
JW	-*KB
XX	LESS GEAR

Input Gear Designator	
645*	AH
645*	AR
645*	BG
645*	BQ
645*	DA
645*	ES
645*	EV
645*	EW
645*	HY
645*	JK
645*	JU
645*	JW
645*	IT



Parker Hannifin Corporation
Chelsea Products Division
 8225 Hacks Cross Road
 Olive Branch, MS 38654 USA
 phone 1-888-PH4-TRUK (1-888-744-8785)
 chd_support@support.parker.com
 www.parker.com/chelsea

HY25-0224-B1/US November 2025

© 2025 Parker Hannifin Corporation

