

CHELSEA® 863 SERIES

One Speed Forward and Reverse Mechanical PTO

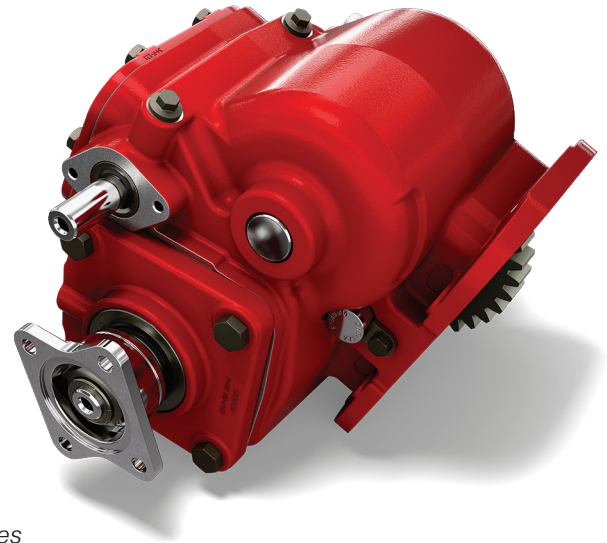
The Chelsea 863 Series PTO is another example of why Chelsea PTO technology is the best in the business. This heavy duty workhorse features a cast iron housing and heavy duty ball bearing on the output shaft, giving it a high torque rating and long service life. Torque rating up to 500 lb-ft make this one versatile PTO. Take advantage of Chelsea PTO technology to increase performance and lower costs.

Applications:

- Oil Field
- Logging

Product Features and Benefits:

- Designed to fit transmissions with 8-Bolt openings.
- Capable of up to 500 lb-ft of intermittent torque.
- Designed for maximum duty reversible applications such as large-capacity winches.
- Lever shift is standard.
- Two Year Warranty.

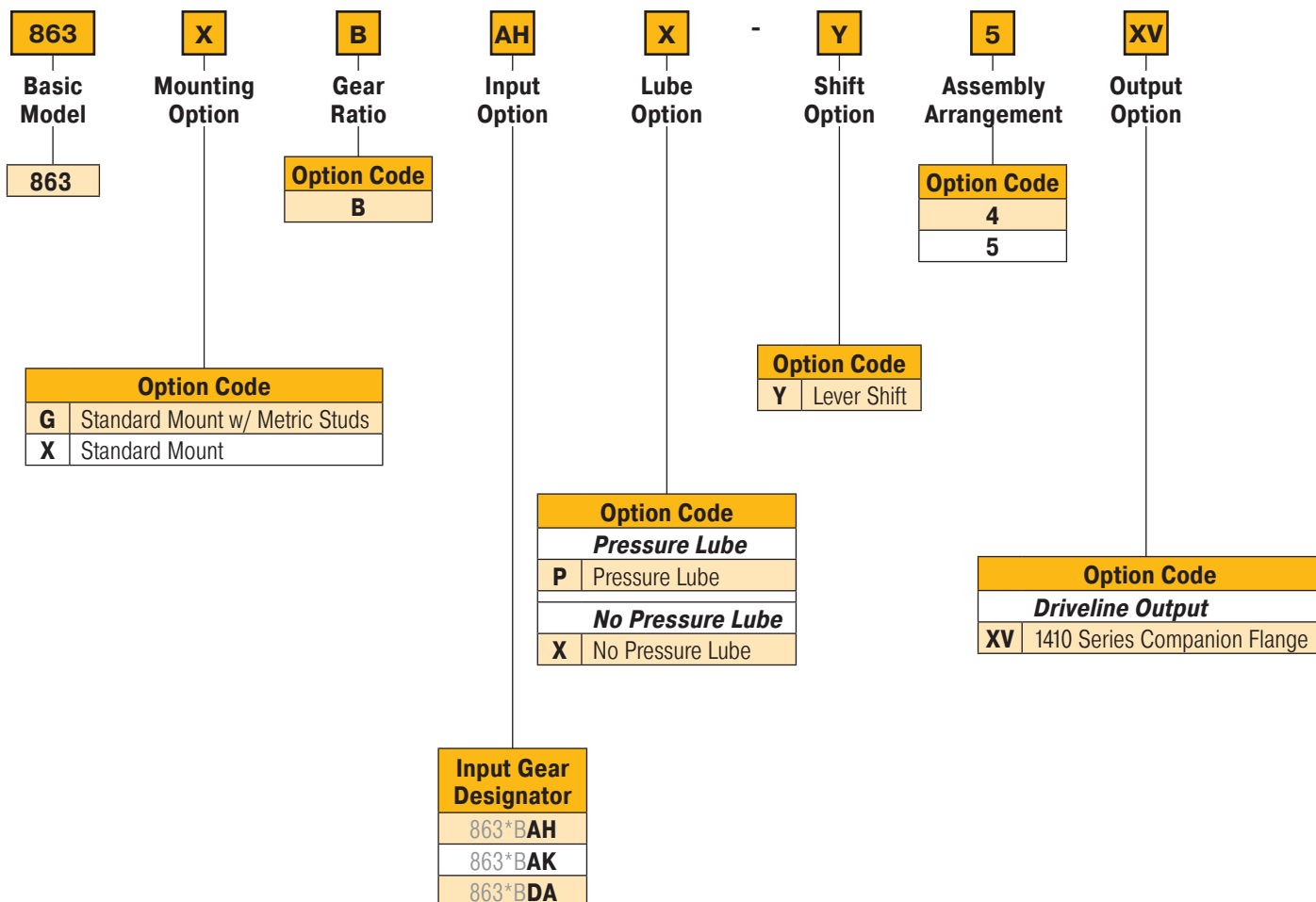


863 Series



863 Series Power Take-Off – Multiple Transmission Options

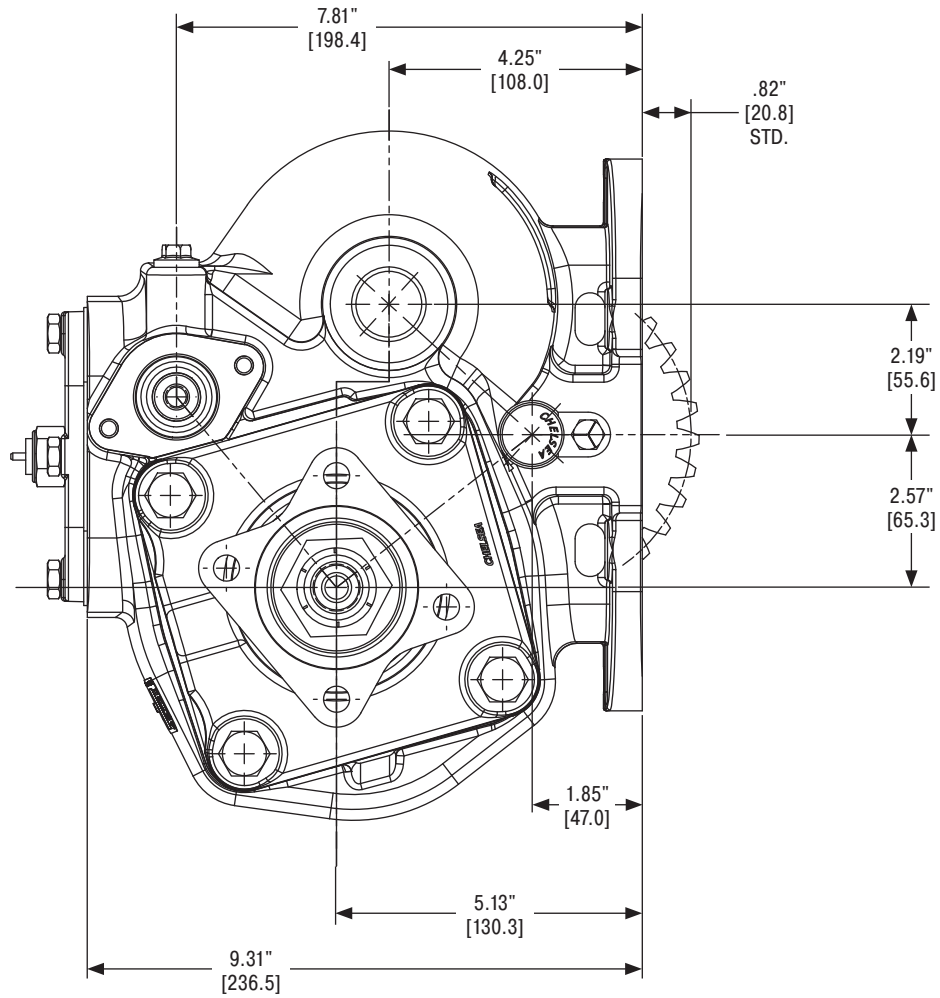
Model Number Designator & Specifications



Specifications Chart		Approximate Weight: 96 lbs. [44 kg]
		863*B
Intermittent Torque Rating lb-ft [N-m]		500 [678]
HP Rating for Intermittent Service		
At 500 RPM of Output Shaft HP [kW]		48 [36]
At 1000 RPM of Output Shaft HP [kW]		95 [71]

863 Series Power Take-Off – Multiple Transmission Options

Dimensions – For PTO output information see application catalog



Parker Hannifin Corporation
Chelsea Products Division
8225 Hacks Cross Road
Olive Branch, MS 38654 USA
phone 1-888-PH4-TRUK (1-888-744-8785)
chd_support@support.parker.com
www.parker.com/chelsea

HY25-0109-B1/US November 2025

© 2025 Parker Hannifin Corporation

